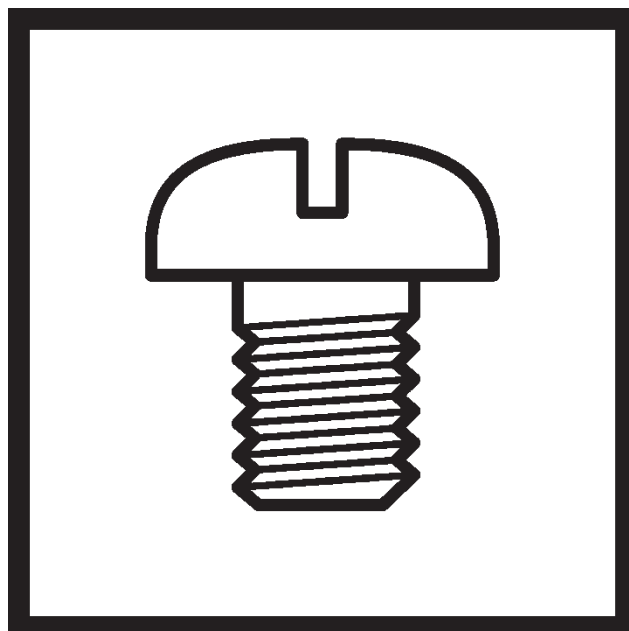


T-8452D

2本針本縫ダイレクトドライブ角縫自動糸切りミシン
TWIN NEEDLE DIRECT DRIVE SPLIT NEEDLE BAR LOCK STITCHER
WITH THREAD TRIMMER



brother

型式板の見方



3: 中厚物

5: 厚物

Description of model plate



3: Medium-weight materials

5: Heavy-weight materials

パーツブックご利用に際して

1. この本は、2019年5月のデータに基づいて作成されたものです。
2. 部品は予告なしに設計変更される場合があります。
3. 組単位で補給する部品は、破線で示してあります。
4. イラスト中で数字(REF.NO)に“+”がついている部品は、仕様により異なります。
詳細は、リストを参照してください。

目 次

| | |
|------------------------|----|
| A. 主体関係 | 1 |
| B. 上軸関係 | 3 |
| C. 針棒揺動関係 | 5 |
| D. 針棒切換操作関係 | 9 |
| E. 押え関係 | 11 |
| F. 送り関係 | 13 |
| G. 逆転関係 | 15 |
| H. 送り軸関係 | 17 |
| J. ゲージ関係 | 19 |
| K1. かま関係 | 21 |
| K2. かま関係 | 25 |
| L. 下軸関係 | 27 |
| M. 給油潤滑関係 | 29 |
| N. 糸通し関係 | 33 |
| P. 糸巻関係 | 35 |
| Q. 糸切り関係 | 37 |
| R. 糸緩め関係 | 41 |
| S. 糸払い関係 | 43 |
| T1. コントロールボックス関係 | 45 |
| T2. コントロールボックス関係 | 47 |
| U. 逆転スイッチ関係 | 49 |
| V. 操作パネル関係 | 51 |
| Y. 電装品・モーター関係 | 53 |
| Z1. 付属品関係 | 55 |
| Z2. 付属品関係 | 57 |
| Wa. 警告ラベル | 59 |
| Sp. 仕様別部品一覧表 | 61 |
| Ga. ゲージ部品一覧表 | 62 |
| 索引 | 65 |

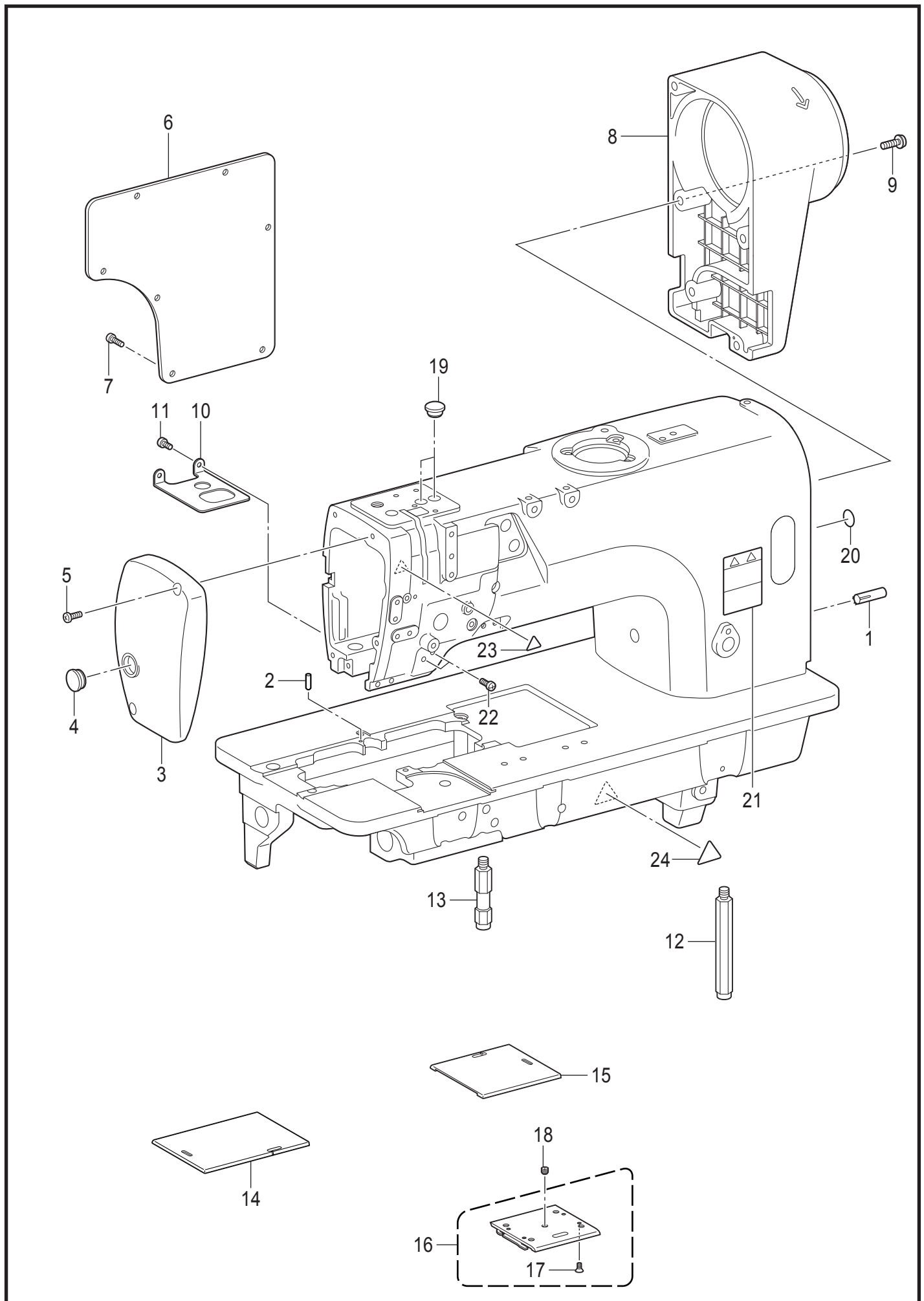
Notes for using this parts book

1. This book was prepared based on information available in May 2019.
2. Parts are subject to changes in design without prior notice.
3. Parts supplied as complete assemblies are circled by a dotted line.
4. The part which has the symbol "+" on its number (REF.NO) in the figure differs depending on the specification. For details, refer to the parts list.

CONTENTS

| | |
|---|----|
| A. Machine body | 1 |
| B. Upper shaft mechanism | 3 |
| C. Needle bar rocking mechanism | 5 |
| D. Needle bar flip-up mechanism | 9 |
| E. Presser foot mechanism | 11 |
| F. Feed mechanism | 13 |
| G. Quick reverse mechanism | 15 |
| H. Feed shaft mechanism | 17 |
| J. Gauge parts | 19 |
| K1. Rotary hook mechanism | 21 |
| K2. Rotary hook mechanism | 25 |
| L. Lower shaft mechanism | 27 |
| M. Lubrication | 29 |
| N. Threading mechanism | 33 |
| P. Bobbin winder mechanism | 35 |
| Q. Thread trimmer mechanism | 37 |
| R. Tension release mechanism | 41 |
| S. Thread wiper mechanism | 43 |
| T1. Control box | 45 |
| T2. Control box | 47 |
| U. Quick reverse switch mechanism | 49 |
| V. Operation panel | 51 |
| Y. Power supply equipment and motor mechanism | 53 |
| Z1. Accessories | 55 |
| Z2. Accessories | 57 |
| Wa. Warning labels | 59 |
| Sp. Different parts list | 61 |
| Ga. Gauge parts list | 62 |
| Index | 65 |

A. 主体関係 / Machine body

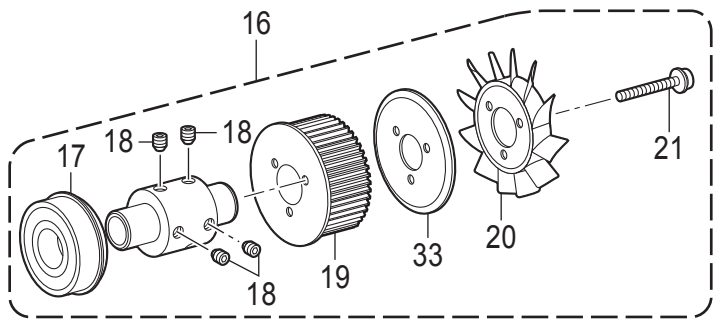
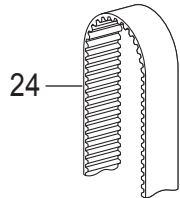
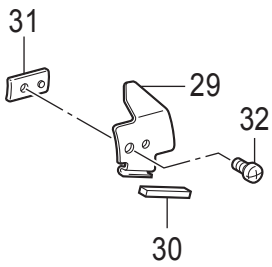
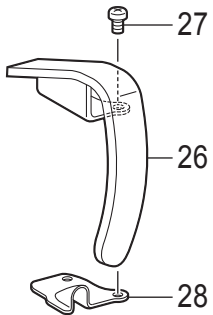
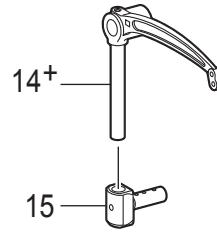
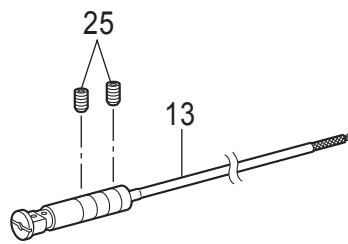
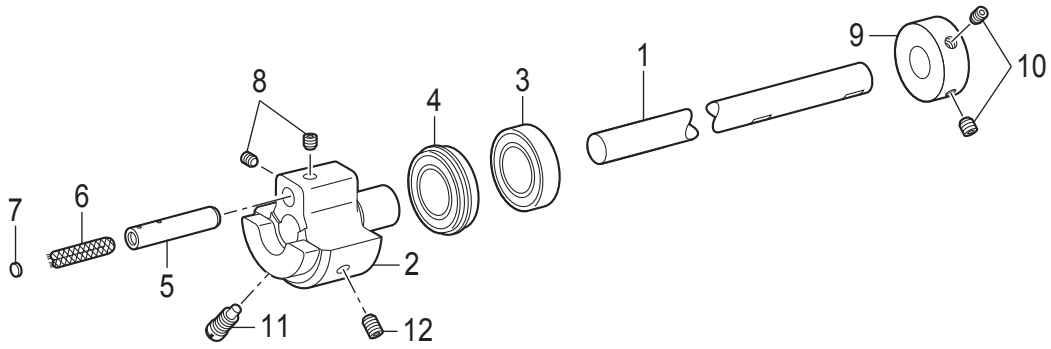


T-8452D-050

A. 主体関係 / Machine body

| REF.NO | CODE | Q'TY | 品名 | NAME OF PARTS | RM |
|--------|-----------|------|------------|------------------------|----|
| 1 | 140063001 | 2 | ミゾツキピン | DOWEL PIN | |
| 2 | SA3924001 | 1 | ハリイタイチキメピン | POSITIONING PIN | |
| 3 | SB9875001 | 1 | メンイタ | FACE PLATE | |
| 4 | 104449001 | 1 | ゴムセン15.5 | RUBBER CAP, 15.5 | |
| 5 | 062501416 | 2 | ナベコ5X14 | SCREW PAN M5X14 | |
| 6 | SA2441201 | 1 | ガワイタ | REAR COVER | |
| 7 | 062501216 | 7 | ナベコ5X12 | SCREW PAN M5X12 | |
| 8 | SB9863001 | 1 | モータカバー | MOTOR COVER | |
| 9 | SA9977101 | 5 | ナベザクミ5X18 | SCREW PAN M5X18 | |
| 10 | SA4370101 | 1 | ダストプレート | DUST PROTECTOR | |
| 11 | 062500616 | 2 | ナベコ5X6 | SCREW PAN M5X6 | |
| 12 | SA2444101 | 1 | キヤクチュウL | BED LEG L | |
| 13 | SA2445101 | 1 | キヤクチュウS | BED LEG S | |
| 14 | SA2448201 | 1 | スベリイタLA | SLIDE PLATE LA | |
| 15 | SA2450201 | 1 | スベリイタR | SLIDE PLATE R | |
| 16 | S36663101 | 1 | スベリイタFクミ | SLIDE PLATE F ASSY | |
| 17 | S34438001 | 4 | サラネジ3.18X4 | SCREW FLAT SM3.18-40X4 | |
| 18 | 116010001 | 1 | トメネジ5.16 | SET SCREW, SM5.16-40X4 | |
| 19 | SA2929001 | 2 | ゴムセン12.5 | RUBBER CAP, 12.5 | |
| 20 | S37060001 | 1 | ア-スマーク | LABEL GROUNDING | |
| 21 | SA9826001 | 1 | ソウサチユウイラベル | LABEL CAUTION | |
| 22 | 062500816 | 2 | ナベコ5X8 | SCREW PAN M5X8 | |
| 23 | SA9957001 | 1 | ワ-ニングマーク | INJURY MARK | |
| 24 | SA9957002 | 1 | ワ-ニングマーク | INJURY MARK | |

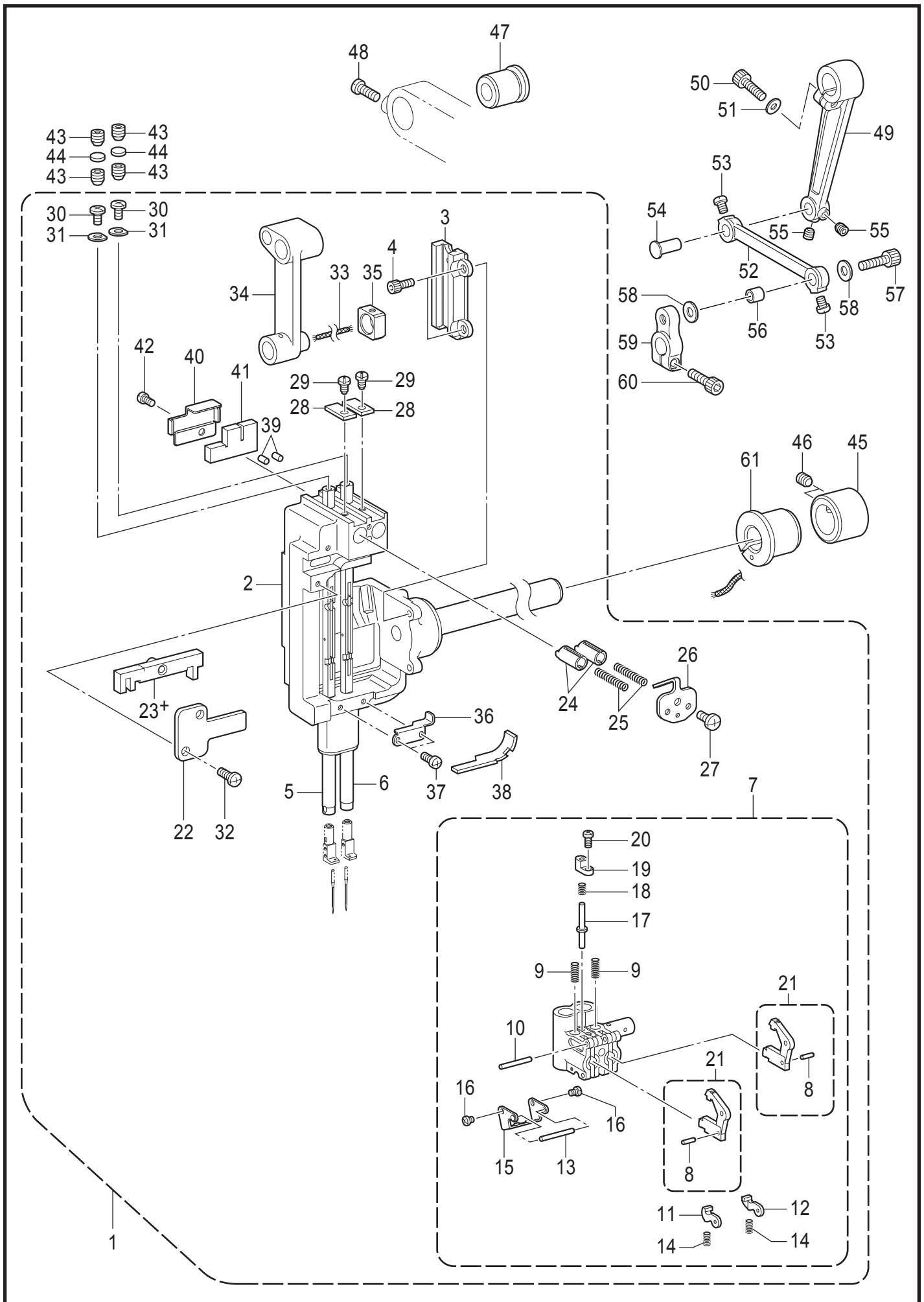
B. 上軸関係 / Upper shaft mechanism



B. 上軸関係 / Upper shaft mechanism

| REF.NO | CODE | Q'TY | 品名 | NAME OF PARTS | RM |
|--------|-----------|------|----------------|--------------------------------|----|
| 1 | SA4551001 | 1 | ウワジクDD | UPPER SHAFT, DD | |
| 2 | SA4373001 | 1 | テンビンクランク | THREAD TAKE-UP CRANK | |
| 3 | SB1485001 | 1 | タマジクウケ6004ZZ | BALL BEARING 6004ZZ | |
| 4 | SB1535001 | 1 | タマジクウケ6004ZZNR | BALL BEARING 6004ZZNR | |
| 5 | SA6166001 | 1 | ハリボウクランクジク | CRANKSHAFT | |
| 6 | 117006001 | 1 | クミヒモ | WICK, L=60 | |
| 7 | 113014000 | 1 | クミヒモフタ | PUSHER | |
| 8 | S25260001 | 2 | アナヒラ6X5ホソメ | SET SCREW SOCKET (FT) M6X5 | |
| 9 | SA1120001 | 1 | イトマキクドウリン | BOBBIN WINDER DRIVING WHEEL | |
| 10 | S23651001 | 2 | アナヒラ6X6ホソメ | SET SCREW SOCKET (FT) M6X6 | |
| 11 | S25235001 | 1 | シメネジ8 | SCREW M8 | |
| 12 | S25236001 | 1 | アナヒラ6X10ホソメ | SET SCREW SOCKET (FT) M6X10 | |
| 13 | SA2861101 | 1 | テンビンササエジクソウクミ | THREAD TAKE-UP S-SHAFT UNIT | |
| | | | <-403用> | <For -403> | |
| 14+ | SA2935201 | 1 | テンビンS3-Lクミ | THREAD TAKE-UP LEVER ASSY S3-L | |
| | | | <-405用> | <For -405> | |
| 14+ | SA2936201 | 1 | テンビンS5-Lクミ | THREAD TAKE-UP LEVER ASSY S5-L | |
| 15 | S13160001 | 1 | テンビンスベリコ2クミ | T-TAKE-UP SLIDE BLOCK ASSY, 2 | |
| 16 | SA2460101 | 1 | ツギテソウクミ | PRESSER ADJUSTING UNIT | |
| 17 | SB1536001 | 1 | タマジクウケ6204ZZNR | BALL BEARING 6204ZZNR | |
| 18 | S23651001 | 4 | アナヒラ6X6ホソメ | SET SCREW SOCKET (FT) M6X6 | |
| 19 | SA2461001 | 1 | タイミングプーリU DD | TIMING PULLEY, U DD | |
| 20 | S38713100 | 1 | ファン | FAN | |
| 21 | SA2404001 | 3 | ナベザクミ4X35DB | SCREW, PAN (S WASHER) M4X35 | |
| 24 | SA2463001 | 1 | タイミングベルト | TIMING BELT | |
| 25 | 012061036 | 2 | アナヒラ6X10 | SET SCREW SOCKET (FT) M6X10 | |
| 26 | SA2469101 | 1 | テンビンカバー | THREAD TAKE-UP LEVER COVER | |
| 27 | 062500816 | 2 | ナベコ5X8 | SCREW PAN M5X8 | |
| 28 | SA4537001 | 1 | ダストカバー | DUST COVER | |
| 29 | SA4376101 | 1 | シヤヘイバン | SHELTER PLATE | |
| 30 | SA3065001 | 1 | フェルト | FELT | |
| 31 | SA3059101 | 1 | シヤヘイバンオサエ | HOLDER, SHELTER PLATE | |
| 32 | 062500816 | 1 | ナベコ5X8 | SCREW PAN M5X8 | |
| 33 | SA2462001 | 1 | プーリUフランジ | PULLEY U FLANGE | |

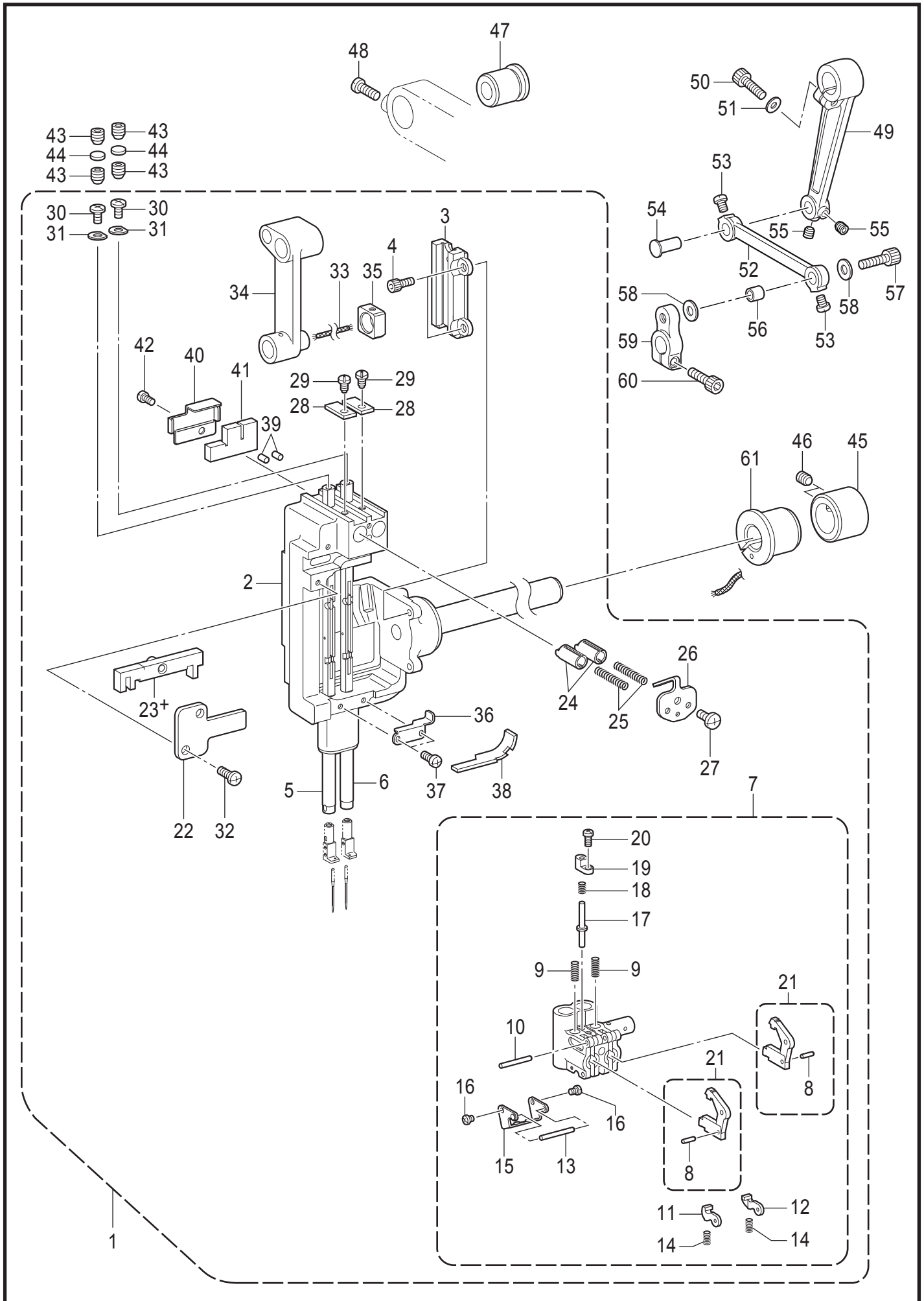
C. 針棒搖動關係 / Needle bar rocking mechanism



C. 針棒揺動関係 / Needle bar rocking mechanism

| REF.NO | CODE | Q'TY | 品名 | NAME OF PARTS | RM |
|--------|-----------|------|----------------|--|----|
| 1 | SB4331101 | 1 | ハリボウヨウドウジクソウクミ | NEEDLE BAR ROCKER SHAFT UNIT | |
| 2 | SB1434001 | 1 | ハリボウダイクミ | NEEDLE BAR BASE ASSY | |
| 3 | SB1425001 | 1 | カクコマスライダ | SLIDE BLOCK SLIDER | |
| 4 | 018401036 | 2 | アナボルト4X10 | BOLT SOCKET M4X10 | |
| 5 | SB4315001 | 1 | ハリボウLクミ | NEEDLE BAR ASSY L | |
| 6 | SB4317001 | 1 | ハリボウRクミ | NEEDLE BAR ASSY R | |
| 7 | SA8749201 | 1 | ハリボウダキクミ | NEEDLE BAR CLAMP ASSY | |
| 8 | 149604001 | 2 | ピン1.5X5.8 | PIN, 1.5X5.8 | |
| 9 | SB4685001 | 2 | クラッチテコバネ | SPRING CLUTCH LEVER | |
| 10 | 149827001 | 1 | ピン2X15.8 | PIN, 2X15.8 | |
| 11 | S34561101 | 1 | クラッチトメL | CLUTCH STOPPER L | |
| 12 | S34562101 | 1 | クラッチトメR | CLUTCH STOPPER R | |
| 13 | 149608001 | 1 | ピン2X17.8 | PIN, 2X17.8 | |
| 14 | 112609001 | 2 | スベリイタストツパバネ | SPRING | |
| 15 | SA4391101 | 1 | バネササエ | SPRING HOLDER | |
| 16 | 062260316 | 2 | ナベコ26X3 | SCREW PAN M2.6X3 | |
| 17 | 149610101 | 1 | リリースピン | PIN | |
| 18 | 149611101 | 1 | リリースピンバネ | SPRING, RELEASE PIN | |
| 19 | SA4392001 | 1 | リリースピンフタ | PIN COVER | |
| 20 | 002260516 | 1 | +ナベコ26X5 | SCREW PAN M2.6X5 | |
| 21 | SA4389101 | 2 | クラッチテコクミ | CLUTCH LEVER ASSY | |
| 22 | SA4395001 | 1 | スベリコアンナイイタ | SLIDE BLOCK GUIDE PLATE | |
| | | | 必ず記号を確認後注文のこと | Need check the "Mark" the following parts before ordering. | |
| 23+ | S07575000 | 1 | スベリコクミ <記号25> | SLIDE BLOCK ASSY, 25 <Mark 25> | |
| 23+ | S07575001 | 1 | スベリコクミ <記号30> | SLIDE BLOCK ASSY, 30 <Mark 30> | |
| 23+ | S07575002 | 1 | スベリコクミ <記号35> | SLIDE BLOCK ASSY, 35 <Mark 35> | |
| 23+ | S07575003 | 1 | スベリコクミ <記号40> | SLIDE BLOCK ASSY, 40 <Mark 40> | |
| 23+ | S07575004 | 1 | スベリコクミ <記号45> | SLIDE BLOCK ASSY, 45 <Mark 45> | |
| 23+ | S07575005 | 1 | スベリコクミ <記号50> | SLIDE BLOCK ASSY, 50 <Mark 50> | |
| 23+ | S07575006 | 1 | スベリコクミ <記号55> | SLIDE BLOCK ASSY, 55 <Mark 55> | |
| 23+ | S07575007 | 1 | スベリコクミ <記号60> | SLIDE BLOCK ASSY, 60 <Mark 60> | |
| 23+ | S07575008 | 1 | スベリコクミ <記号65> | SLIDE BLOCK ASSY, 65 <Mark 65> | |
| 23+ | S07575009 | 1 | スベリコクミ <記号70> | SLIDE BLOCK ASSY, 70 <Mark 70> | |
| 23+ | S07575010 | 1 | スベリコクミ <記号75> | SLIDE BLOCK ASSY, 75 <Mark 75> | |
| 23+ | S07575011 | 1 | スベリコクミ <記号80> | SLIDE BLOCK ASSY, 80 <Mark 80> | |
| 24 | SA4583001 | 2 | ハリボウストツパー | STOPPER, N-BAR | |
| 25 | 149622001 | 2 | ハリボウストツパーバネ | SPRING, N-BAR STOPPER | |
| 26 | SA4396001 | 1 | バネフタ | SPRING COVER | |
| 27 | 060350616 | 1 | バインド35X6 | SCREW BIND M3.5X6 | |
| 28 | SA4397001 | 2 | ハリボウマワリトメ | ROTATE STOPPER, N-BAR | |
| 29 | SA4398001 | 2 | シメネジ3.5 | SCREW, SM3.5 | |
| 30 | 060350616 | 2 | バインド35X6 | SCREW BIND M3.5X6 | |
| 31 | SA4399001 | 2 | ザガネ | WASHER, PLAIN | |
| 32 | 062350816 | 2 | ナベコ35X8 | SCREW PAN M3.5X8 | |
| 33 | 112728001 | 1 | クミヒモ | WICK, L=50 | |
| 34 | SA4393101 | 1 | ハリボウクランクロッド | CRANK ROD, N-BAR | |
| 35 | SA4394001 | 1 | カクコマ | SLIDE BLOCK | |
| 36 | SA4401001 | 1 | フェルトオサエD | FELT SUPPORT, D | |
| 37 | 062350516 | 2 | ナベコ35X5 | SCREW PAN M3.5X5 | |
| 38 | SA4400001 | 1 | フェルト | FELT | |
| 39 | 107155001 | 2 | フェルト | FELT | |
| 40 | SA5155001 | 1 | フェルトササエ | FELT SUPPORT | |
| 41 | SA5237101 | 1 | フェルト | FELT | |
| 42 | 062350516 | 1 | ナベコ35X5 | SCREW PAN M3.5X5 | |
| 43 | 014080831 | 4 | アナクボミ8X8 | SET SCREW SOCKET (CP) M8X8 | |
| 44 | 154567000 | 2 | カンザ5.3 | SPACER 5.3 | |
| 45 | SA2485001 | 1 | セツトカラー | SET SCREW COLLAR | |
| 46 | S25260001 | 2 | アナヒラ6X5ホソメ | SET SCREW SOCKET (FT) M6X5 | |
| 47 | SA2486101 | 1 | ヨウドウジクメタルR | BUSH, R | |
| 48 | 062061616 | 1 | ナベコ6X16 | SCREW PAN M6X16 | |
| 49 | SA2489001 | 1 | ハリボウヨウドウレバー | NEEDLE BAR ROCKER LEVER | |

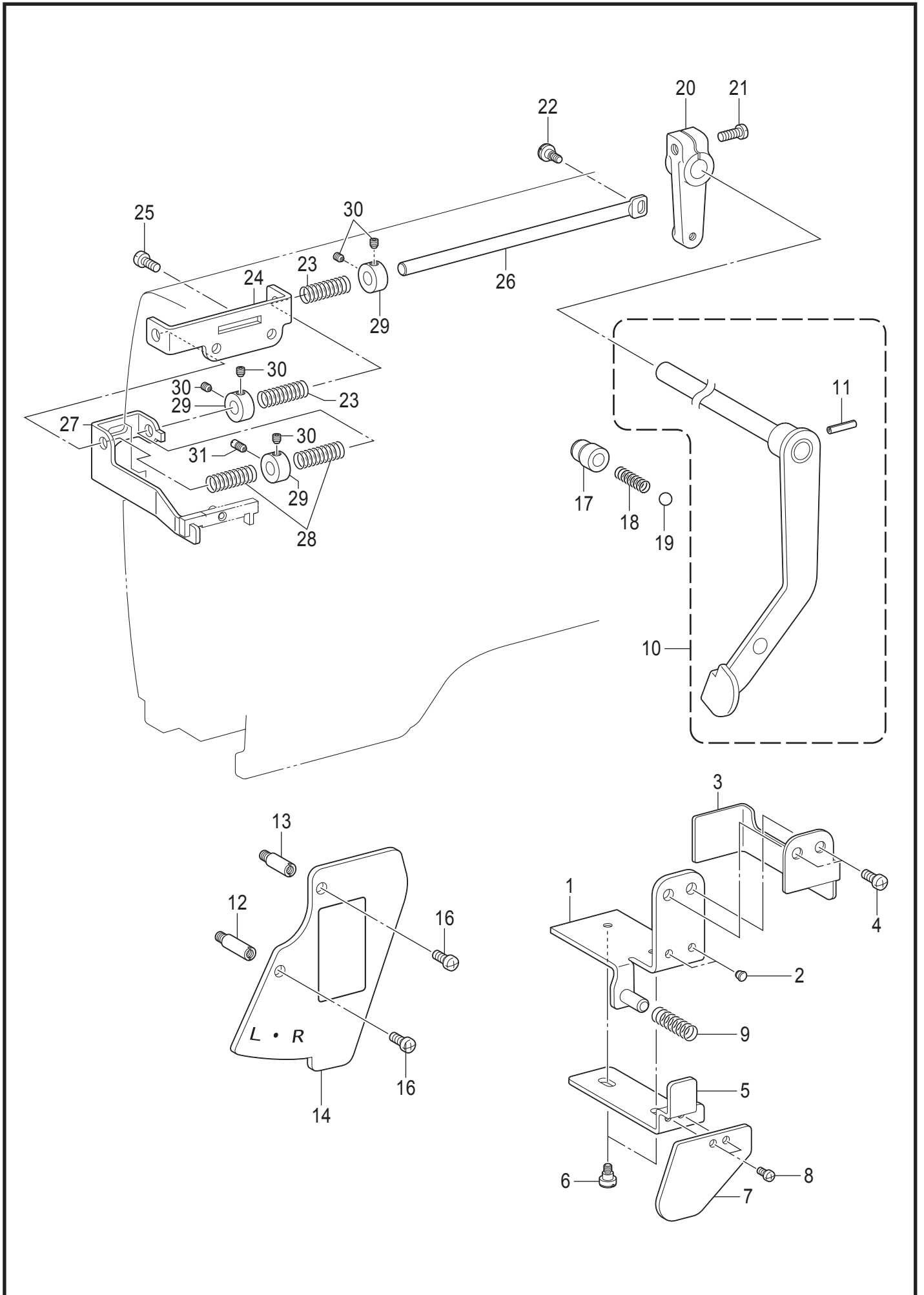
C. 針棒搖動關係 / Needle bar rocking mechanism



C. 針棒揺動関係 / Needle bar rocking mechanism

| REF.NO | CODE | Q'TY | 品名 | NAME OF PARTS | RM |
|--------|-----------|------|-------------|----------------------------|----|
| 50 | 018062032 | 1 | アナボルト6X20 | BOLT SOCKET M6X20 | |
| 51 | 118735002 | 1 | ザガネ | WASHER | |
| 52 | SA2490101 | 1 | ハリボウヨウドウリンク | ROCKER LINK N-BAR | |
| 53 | S23460001 | 2 | ナベコ6X5 | SCREW PAN M6X5 | |
| 54 | SB4197001 | 1 | ヨウドウリンクジク | LINK SHAFT N-BAR ROCKER | |
| 55 | 012060636 | 2 | アナヒラ6X6 | SET SCREW SOCKET (FT) M6X6 | |
| 56 | SB4198001 | 1 | ヨウドウリンクカラ- | ZIGZAG LINK BUSH | |
| 57 | 018062532 | 1 | アナボルト6X25 | BOLT SOCKET M6X25 | |
| 58 | SA2493001 | 2 | ザガネ | WASHER, PLAIN | |
| 59 | SA2494001 | 1 | ハリボウヨウドウウデ | NEEDLE BAR ROCK ARM | |
| 60 | 018062032 | 1 | アナボルト6X20 | BOLT SOCKET M6X20 | |
| 61 | SA5332001 | 1 | ヨウドウジクメタルL | BUSH L | |

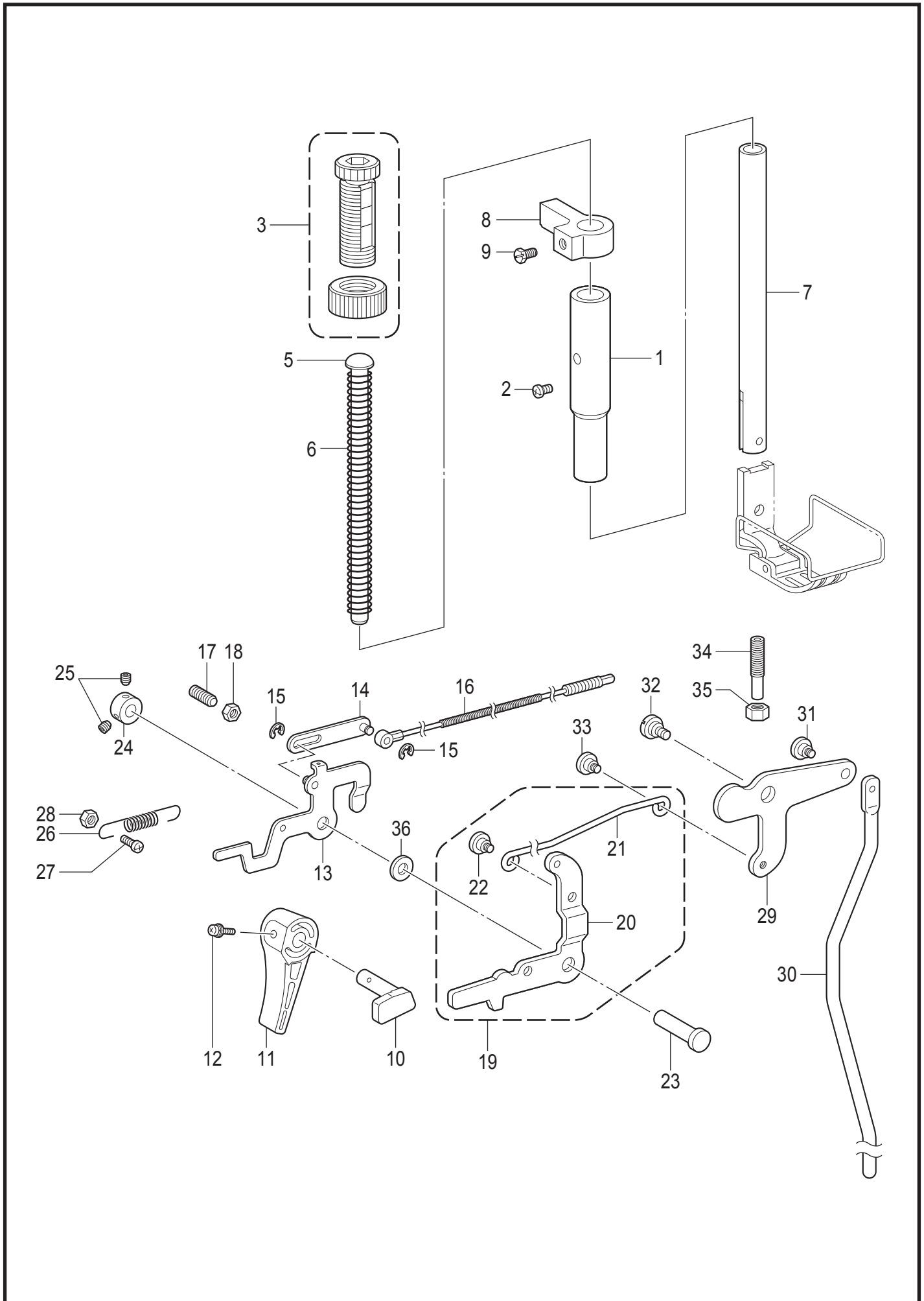
D. 針棒切換操作關係 / Needle bar flip-up mechanism



D. 針棒切換操作関係 / Needle bar flip-up mechanism

| REF.NO | CODE | Q'TY | 品名 | NAME OF PARTS | RM |
|--------|-----------|------|-------------|----------------------------|----|
| 1 | SA4402001 | 1 | シジイタクミ | INDICATION PLATE ASSY | |
| 2 | 104833001 | 2 | ゴムセン4.3 | RUBBER CAP, 4.3 | |
| 3 | SA5336001 | 1 | シジイタカバー | HOLDER PLATE COVER | |
| 4 | 062501016 | 2 | ナベコ5X10 | SCREW PAN M5X10 | |
| 5 | SA4404001 | 1 | プツシユレバー | PUSH LEVER | |
| 6 | SA4441001 | 2 | ダンネジM4 | SHOULDER SCREW, M4 | |
| 7 | SA4405001 | 1 | プツシユレバーイタ | PLATE PUSH LEVER | |
| 8 | 062350516 | 2 | ナベコ35X5 | SCREW PAN M3.5X5 | |
| 9 | SA5333001 | 1 | プツシユレバーバネ | SPRING | |
| 10 | SA4406001 | 1 | ストップレバージククミ | STOP LEVER SHAFT ASSY | |
| 11 | 047301842 | 1 | スプリングピンAW3 | PIN SPRING ROLL AW3 | |
| 12 | SA4408001 | 1 | スタツドL | STUD, L | |
| 13 | SA4409001 | 1 | スタツドS | STUD, S | |
| 14 | SA4411101 | 1 | キリカエシジイタ | FLIP-UP HOLDER PLATE | |
| 16 | 062500816 | 2 | ナベコ5X8 | SCREW PAN M5X8 | |
| 17 | SA4412001 | 1 | タマアンナイブツシユ | BALL GUIDE BUSH | |
| 18 | 150820001 | 1 | タマオシバネ | SPRING | |
| 19 | 071063550 | 1 | コウキユウ1/4 | BEARING BALL, 1/4 | |
| 20 | SA4413001 | 1 | レバージクウケ | ARM LEVER SHAFT | |
| 21 | 062501416 | 1 | ナベコ5X14 | SCREW PAN M5X14 | |
| 22 | SA5588001 | 1 | ダンネジM4 | SHOULDER SCREW M4 | |
| 23 | SA4414001 | 2 | レバージクウケバネ | SPRING | |
| 24 | SA4415001 | 1 | スライドジクウケ | SLIDE SHAFT BRACKET | |
| 25 | 062500816 | 2 | ナベコ5X8 | SCREW PAN M5X8 | |
| 26 | S07588101 | 1 | スライドジク | SLIDE SHAFT | |
| 27 | SA4416001 | 1 | スライドジクウケイタ | SUPPORT PLATE SLIDE SHAFT | |
| 28 | 149863001 | 2 | ジクウケイタバネ | SPRING, PLATE | |
| 29 | SA4417001 | 3 | セットカラー | SET SCREW COLLAR | |
| 30 | 014400432 | 5 | アナクボミ4X4 | SET SCREW SOCKET (CP) M4X4 | |
| 31 | SA4418001 | 1 | アンナイネジ | GUIDE SCREW | |

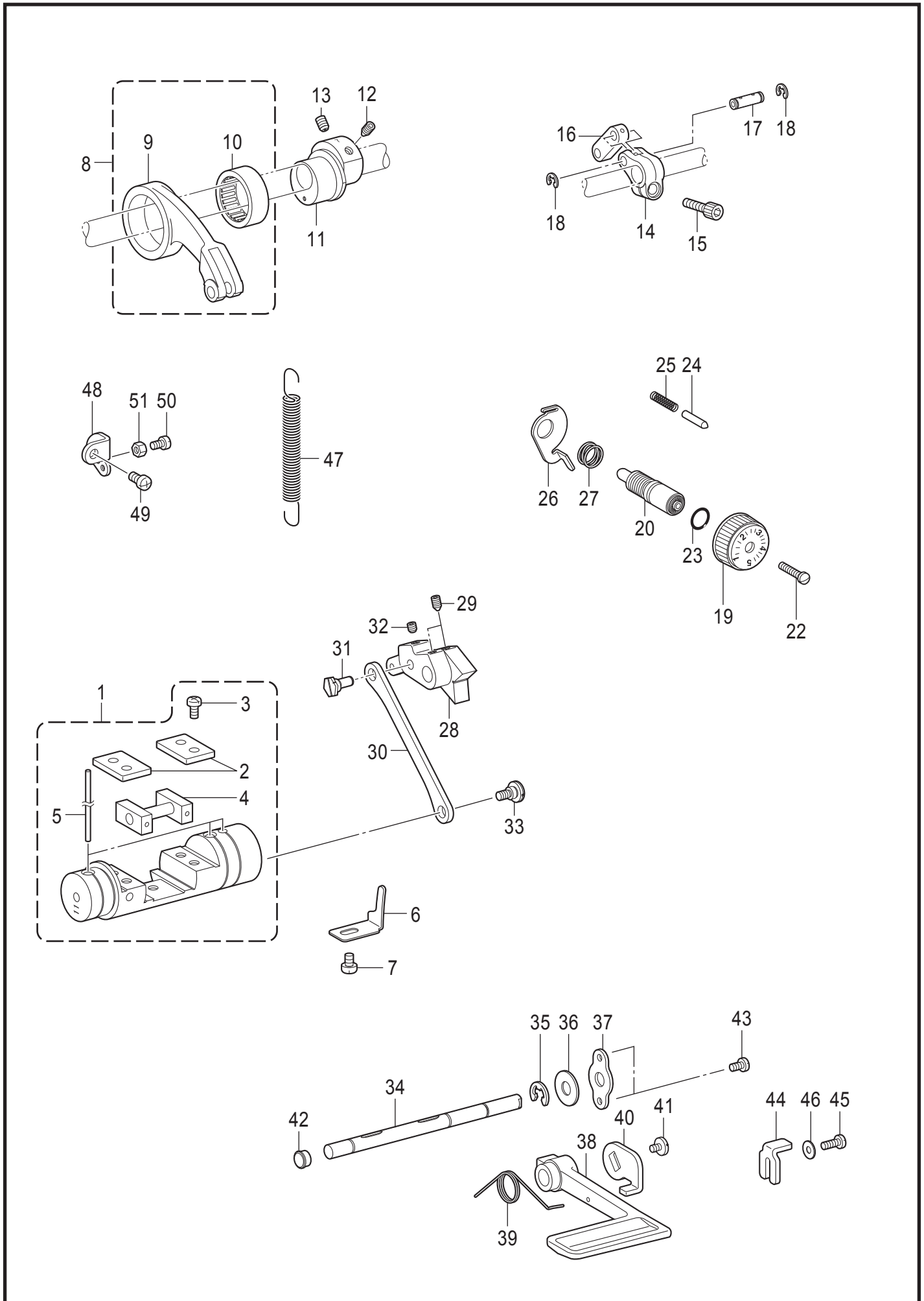
E. 押え関係 / Presser foot mechanism



E. 押え関係 / Presser foot mechanism

| REF.NO | CODE | Q'TY | 品名 | NAME OF PARTS | RM |
|--------|-----------|------|--------------|-------------------------------|----|
| 1 | SA2495001 | 1 | オサエボウメタル | PRESSER BAR BUSH | |
| 2 | 062500816 | 1 | ナベコ5X8 | SCREW PAN M5X8 | |
| 3 | SB2265002 | 1 | オサエチョウセツネジクミ | PRESSER ADJUSTING SCREW ASSY | |
| 5 | SA7607101 | 1 | オサエバネアンナイ | SPRING GUIDE | |
| 6 | S07346101 | 1 | オサエバネ | PRESSER BAR SPRING, -5 | |
| 7 | SB4195001 | 1 | オサエボウ | PRESSER BAR | |
| 8 | SA2498001 | 1 | オサエボウダキ | GUIDE BRACKET, P-BAR | |
| 9 | S25289001 | 1 | ボルト6 | BOLT (CP) M6X10 | |
| 10 | SA2499001 | 1 | オサエアゲクランク | PRESSER BAR LIFTING CRANK | |
| 11 | S31006002 | 1 | オサエアゲテコ | LIFTING LEVER | |
| 12 | S39051001 | 1 | ナベザクミ35X12 | SCREW, PAN (S/P W) M3.5X12 | |
| 13 | S07351001 | 1 | イトユルメイタクミ | TENSION RELEASE PLATE ASSY | |
| 14 | S07529001 | 1 | イトユルメレンカンクミ | T-RELEASE CONNECTING ROD ASSY | |
| 15 | 048030342 | 2 | トメワE3 | RETAINING RING E3 | |
| 16 | SA2677201 | 1 | イトユルメワイヤー | TENSION RELEASE WIRE | |
| 17 | 012061832 | 1 | アナヒラ6X18 | SET SCREW, SOCKET (FT) M6X18 | |
| 18 | 021060306 | 1 | 3シュナット6 | NUT 3 M6 | |
| 19 | SA2500001 | 1 | ヒザアゲレンカンクミ | KNEE LIFTER C-ROD ASSY | |
| 20 | SA2501001 | 1 | オサエアゲレバー | PRESSER BAR LIFTING LEVER | |
| 21 | SA2502001 | 1 | ヒザアゲレンカン | KNEE LIFTER CONNECTING ROD | |
| 22 | SA1179001 | 1 | ダンネジ5 | SHOULDER SCREW M5 | |
| 23 | S07349001 | 1 | オサエアゲレバージク | P-BAR LIFTING LEVER SHAFT | |
| 24 | SA2504001 | 1 | セツトカラ | SET SCREW COLLAR | |
| 25 | 012500536 | 2 | アナヒラ5X5 | SET SCREW SOCKET (FT) M5X5 | |
| 26 | S07355051 | 2 | オサエアゲレバーバネ | SPRING, EXTENSION | |
| 27 | 062501216 | 1 | ナベコ5X12 | SCREW PAN M5X12 | |
| 28 | 021500106 | 1 | 1シュナット5 | NUT 1 M5 | |
| 29 | SA2506001 | 1 | ヒザアゲレバー | KNEE LIFTER LEVER | |
| 30 | SA2507001 | 1 | ヒザアゲボウ | KNEE LIFTER BAR | |
| 31 | SA1179001 | 1 | ダンネジ5 | SHOULDER SCREW M5 | |
| 32 | SA2165001 | 1 | ダンネジ6 | SHOULDER SCREW, M6 | |
| 33 | SA1179001 | 1 | ダンネジ5 | SHOULDER SCREW M5 | |
| 34 | SA4149101 | 1 | チヨウセツネジ6 | ADJUSTING SCREW 6 | |
| 35 | 021060306 | 1 | 3シュナット6 | NUT 3 M6 | |
| 36 | S07350001 | 1 | ザガネ | WASHER PLAIN | |

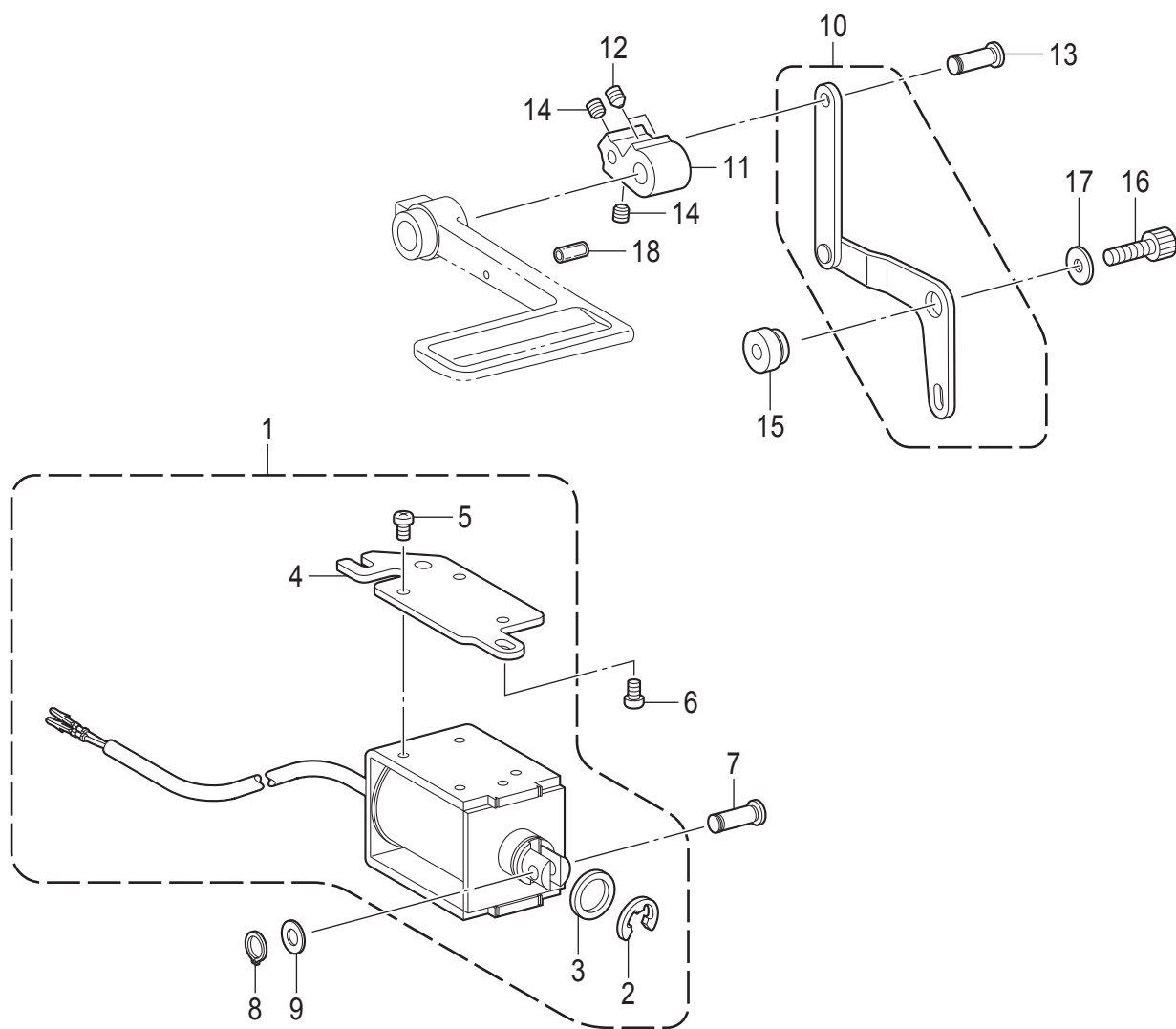
F. 送り関係 / Feed mechanism



F. 送り関係 / Feed mechanism

| REF.NO | CODE | Q'TY | 品名 | NAME OF PARTS | RM |
|--------|-----------|------|---------------|-------------------------------|----|
| 1 | SA2509001 | 1 | キリカエキクミ | FEED REGULATOR ASSY | |
| 2 | SA2511001 | 2 | カクコマアンナイタ | GUIDE PLATE | |
| 3 | 062501016 | 4 | ナベコ5X10 | SCREW PAN M5X10 | |
| 4 | SA2512001 | 1 | キリカエキカクコマクミ | SLIDE BLOCK ASSY | |
| 5 | SA2515001 | 3 | フエルト | FELT | |
| 6 | SA2516001 | 1 | キリカエキトメ | STOPPER | |
| 7 | 062060816 | 1 | ナベコ6X8 | SCREW PAN M6X8 | |
| 8 | 143611201 | 1 | スイヘイオクリレンカンクミ | F-ROCKER CONNECTING ROD ASSY | |
| 9 | 143612100 | 1 | スイヘイオクリレンカン | FEED ROCKER CONNECTING ROD | |
| 10 | 118954000 | 1 | ニードルベアリング | NEEDLE BEARING | |
| 11 | SA2518001 | 1 | スイヘイヘンシンリン5 | LEVEL FEED ECCENTRIC WHEEL 5 | |
| 12 | SA2585001 | 1 | アナトガリ6X10ホソメ | SET SCREW, SOCKET (FT) M6 | |
| 13 | S25236001 | 1 | アナヒラ6X10ホソメ | SET SCREW SOCKET (FT) M6X10 | |
| 14 | SA2521001 | 1 | スイヘイオクリウデ5 | FEED ROCKER ARM 5 | |
| 15 | 018062032 | 1 | アナボルト6X20 | BOLT SOCKET M6X20 | |
| 16 | 143613051 | 1 | スイヘイオクリウデリンク | LINK | |
| 17 | 143616001 | 1 | スイヘイオクリウデジク | SHAFT | |
| 18 | 048060342 | 2 | トメワE6 | RETAINING RING E6 | |
| 19 | SB9867001 | 1 | オクリメモリダイヤル | STITCH LENGTH DIAL 5 | |
| 20 | SA3056101 | 1 | オクリチヨウセツネジ | FEED REGULATING STUD | |
| 22 | SA4494001 | 1 | シメネジ4.76 | SCREW SM4.76 | |
| 23 | 108549001 | 1 | Oリング | O RING | |
| 24 | S50098201 | 1 | メモリイチギメピン | POSITIONING PIN | |
| 25 | 100328001 | 1 | メモリイチキメピンバネ | NOTCH SPRING | |
| 26 | SA2523001 | 1 | ダイヤルロックレバー | DIAL LOCK LEVER | |
| 27 | S39830101 | 1 | ダイヤルロックレバーバネ | SPRING | |
| 28 | SA2525001 | 1 | オクリチヨウセツキ5 | FEED REGULATOR 5 | |
| 29 | 016061031 | 2 | アナトガリ6X10 | SET SCREW SOCKET (CN) M6X10 | |
| 30 | SA2526001 | 1 | キリカエキレンカン | CONNECTING ROD | |
| 31 | SB4125001 | 1 | ヘンシンジク | ECCENTRIC SHAFT | |
| 32 | 012060636 | 1 | アナヒラ6X6 | SET SCREW SOCKET (FT) M6X6 | |
| 33 | SB7507001 | 1 | ダンネジ6 | SHOULDER SCREW M6 | |
| 34 | SA2529101 | 1 | カエシヌイレバージクTR | SHAFT R-LEVER TR | |
| 35 | 048080342 | 1 | トメワE8 | RETAINING RING E8 | |
| 36 | 025100132 | 1 | ヒラザガネシヨウ10 | WASHER PLAIN S 10 | |
| 37 | SA2530001 | 1 | カンザ | SPACER | |
| 38 | S07374102 | 1 | カエシヌイレバー | REVERSE STITCHING LEVER | |
| 39 | SA2531001 | 1 | カエシヌイレバーオサエバネ | SPRING | |
| 40 | SA2541001 | 1 | カエシヌイレバーイタ | REVERSE STITCHING LEVER PLATE | |
| 41 | SA6592001 | 1 | シメネジM5 | SCREW M5 | |
| 42 | 104821001 | 1 | ゴムセン10.5 | RUBBER CAP, 10.5 | |
| 43 | 062500816 | 2 | ナベコ5X8 | SCREW PAN M5X8 | |
| 44 | SA2532001 | 1 | ハンドルストツパ | STOPPER | |
| 45 | 062501216 | 1 | ナベコ5X12 | SCREW PAN M5X12 | |
| 46 | SB3849001 | 1 | ヒラザガネチュウ5 | WASHER_PLAIN_M_5 | |
| 47 | S07376001 | 1 | キリカエキバネ | FEED REGULATOR SPRING | |
| 48 | SA2533001 | 1 | バネカケ | SPRING HOOK | |
| 49 | 062060816 | 1 | ナベコ6X8 | SCREW PAN M6X8 | |
| 50 | 062501216 | 1 | ナベコ5X12 | SCREW PAN M5X12 | |
| 51 | 021500106 | 1 | 1シュナット5 | NUT 1 M5 | |

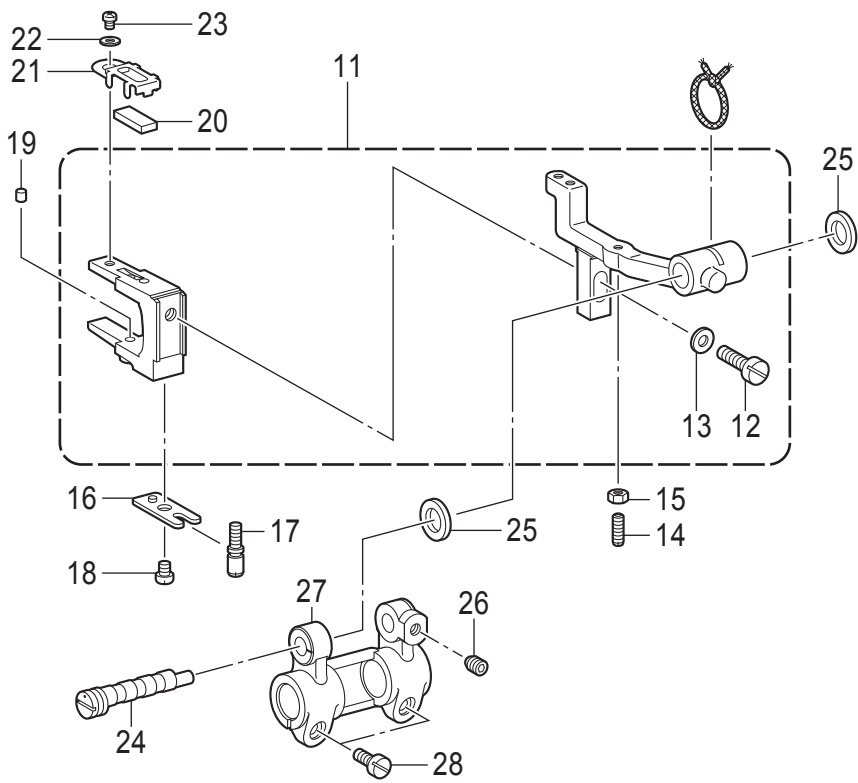
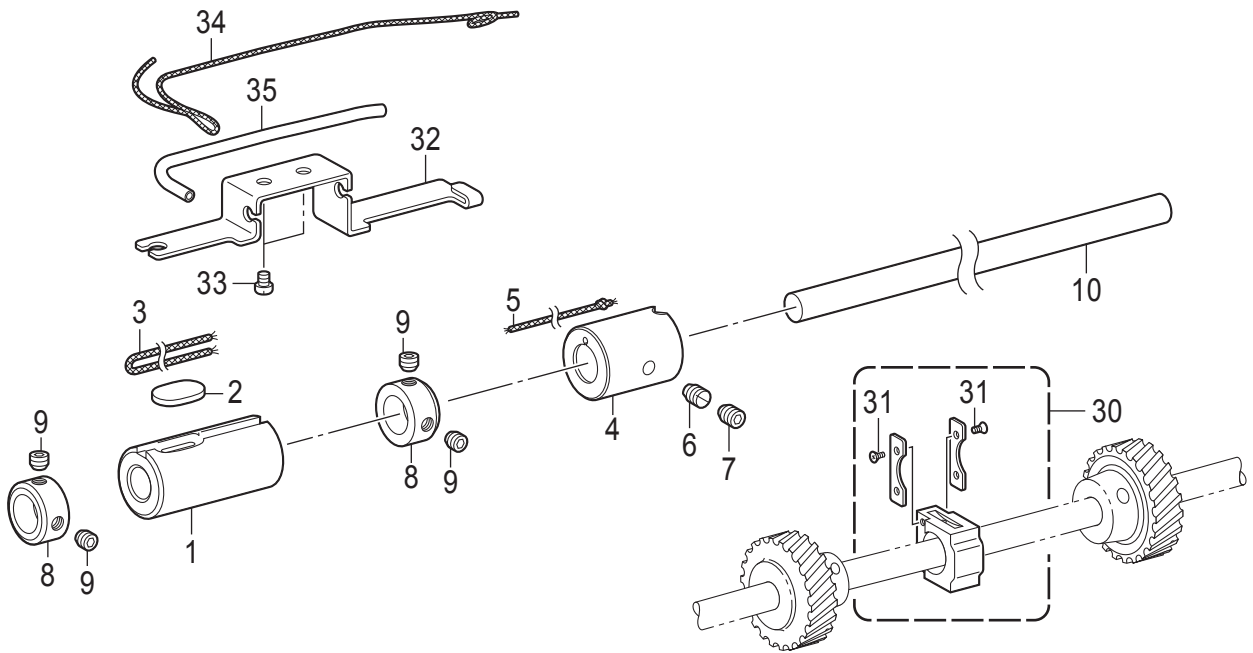
G. 逆転関係 / Quick reverse mechanism



G. 逆転関係 / Quick reverse mechanism

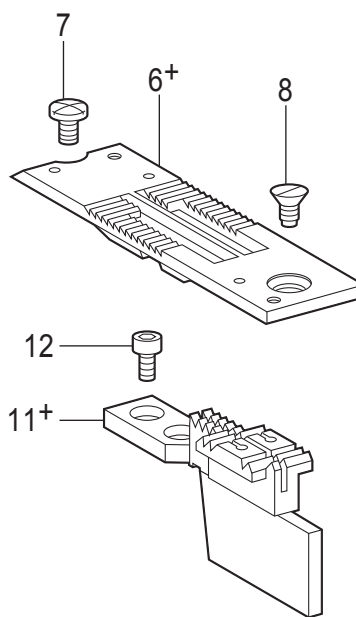
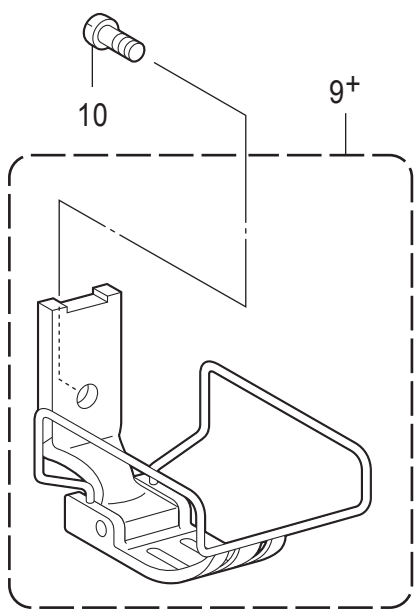
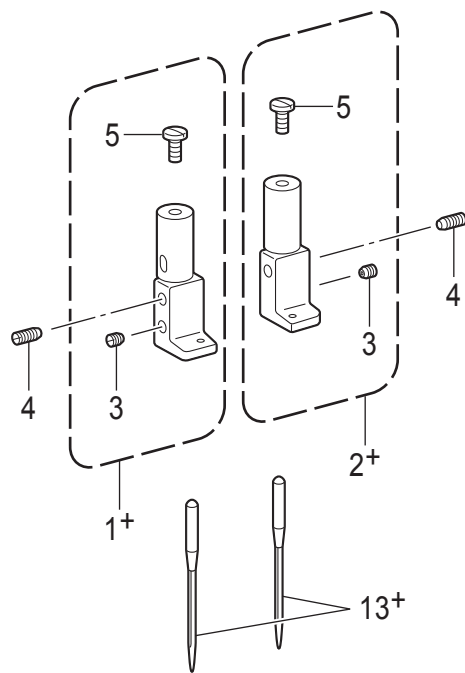
| REF.NO | CODE | Q'TY | 品名 | NAME OF PARTS | RM |
|--------|-----------|------|----------------|-----------------------------|----|
| 1 | SB9911001 | 1 | ギャクテンソレノイドオオクミ | QUICK REVERSE SOLENOID UNIT | |
| 2 | 154730001 | 1 | トメワE15 | RETAINING RING E15 | |
| 3 | 154731000 | 1 | ゴムストツパー | RUBBER STOPPER | |
| 4 | SA2535101 | 1 | ソレノイドドダイ | SOLENOID BRACKET | |
| 5 | 062500812 | 3 | ナベコ5X8 | SCREW PAN M5X8 | |
| 6 | 062061016 | 2 | ナベコ6X10 | SCREW PAN M6X10 | |
| 7 | SA2992001 | 1 | レンケツピン | PIN | |
| 8 | 048060142 | 1 | トメワジクヨウC6 | RETAINING RING EXTERNAL C6 | |
| 9 | 153138001 | 1 | ザガネ | WASHER, PLAIN 6.5 | |
| 10 | SA2536001 | 1 | ソレノイドレバークミ | SOLENOID LEVER ASSY | |
| 11 | SA2540001 | 1 | ギャクテンレバー | QUICK REVERSE LEVER | |
| 12 | 016061031 | 2 | アナトガリ6X10 | SET SCREW SOCKET (CN) M6X10 | |
| 13 | SA2992001 | 1 | レンケツピン | PIN | |
| 14 | 012060636 | 2 | アナヒラ6X6 | SET SCREW SOCKET (FT) M6X6 | |
| 15 | SA2539001 | 1 | ソレノイドレバージク | SOLENOID LEVER SHAFT | |
| 16 | 018062032 | 1 | アナボルト6X20 | BOLT SOCKET M6X20 | |
| 17 | 149095001 | 1 | ザガネ | WASHER, PLAIN 6 | |
| 18 | 153132000 | 1 | ナイロンチューブ | NYLON TUBE L=13.5 | |

H. 送り軸関係 / Feed shaft mechanism



H. 送り軸関係 / Feed shaft mechanism

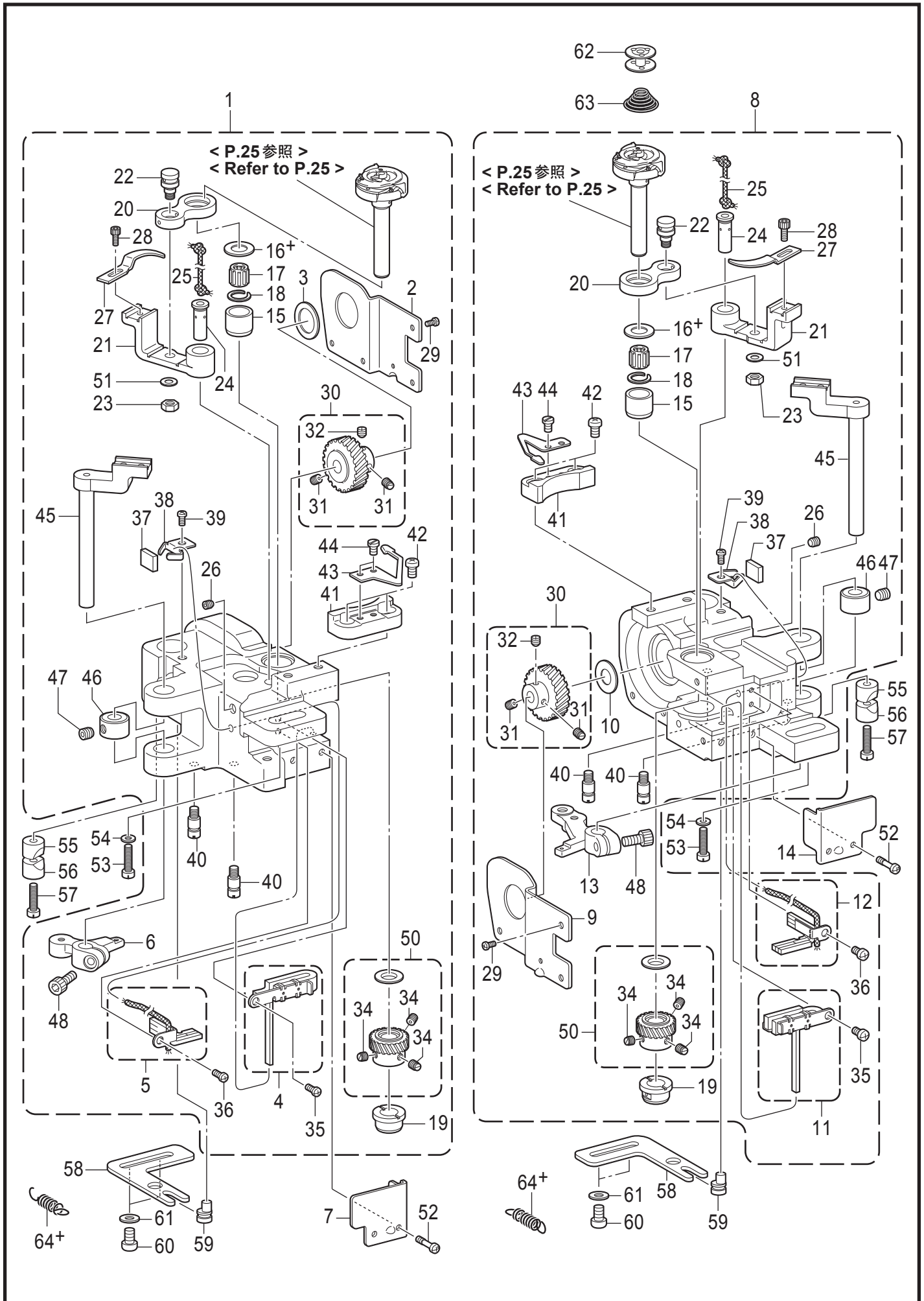
| REF.NO | CODE | Q'TY | 品名 | NAME OF PARTS | RM |
|--------|-----------|------|---------------|----------------------------|----|
| 1 | SA3855001 | 1 | オクリジクメタルL | BUSH, L: F-ROCKER SHAFT | |
| 2 | SA3965001 | 1 | フェルト | FELT | |
| 3 | SA4028001 | 1 | クミヒモ4X4 L=220 | WICK, 4X4 L=220 | |
| 4 | SA2543001 | 1 | オクリジクメタルR | FEED ROCKER SHAFT BUSH, R | |
| 5 | 108802001 | 1 | クミヒモ4X4 | WICK, 4X4 L=250 | |
| 6 | SA2544001 | 1 | トメネジM6 | SET SCREW M6 | |
| 7 | 012060636 | 1 | アナヒラ6X6 | SET SCREW SOCKET (FT) M6X6 | |
| 8 | SA2546001 | 2 | セツトカラー | SET SCREW COLLAR | |
| 9 | S23651001 | 4 | アナヒラ6X6ホソメ | SET SCREW SOCKET (FT) M6X6 | |
| 10 | SA3840001 | 1 | スイハイオクリジク | FEED ROCKER SHAFT | |
| 11 | SA6150101 | 1 | オクリダイTRフタマタクミ | FEED BAR TR FORK ASSY | |
| 12 | SA2927001 | 1 | シメネジM6X14 | SCREW, M6X14 | |
| 13 | 025060132 | 1 | ヒラザガネショウ6 | WASHER PLAIN S 6 | |
| 14 | SA2566001 | 1 | トメネジ3.5 | SET SCREW, M3.5 | |
| 15 | 021350106 | 1 | 1シュナット35 | NUT 1 M3.5 | |
| 16 | SA2553001 | 1 | フタマタプレート | FORKED PLATE | |
| 17 | SA2554001 | 1 | タカサチヨウセツネジ | ADJUSTING SCREW | |
| 18 | 062400616 | 1 | ナベコ4X6 | SCREW PAN M4X6 | |
| 19 | SA3990001 | 1 | フェルト | FELT | |
| 20 | SA3887001 | 1 | フェルト | FELT | |
| 21 | SA3888001 | 1 | フェルトオサエ | FELT HOLDER | |
| 22 | 025030132 | 1 | ヒラザガネショウ3 | WASHER PLAIN S 3 | |
| 23 | 062300416 | 1 | ナベコ3X4 | SCREW PAN M3X4 | |
| 24 | SB4126001 | 1 | オクリダイトリツケジク | FEED BAR SHAFT | |
| 25 | SA2551001 | 2 | スラストリング | THRUST RING | |
| 26 | 012060636 | 1 | アナヒラ6X6 | SET SCREW SOCKET (FT) M6X6 | |
| 27 | SA2555001 | 1 | スイハイオクリダイウデ | FEED ROCKER BASE ARM | |
| 28 | SA2928001 | 2 | シメネジM5X12 | SCREW, M5X12 | |
| 30 | SA2806101 | 1 | オクリダイカクコマクミ | FEED BAR SLIDE BLOCK ASSY | |
| 31 | SA6308001 | 4 | 0サラコ3シュ2X4 | SCREW FLAT #0 M2X4 | |
| 32 | SA4009001 | 1 | クミヒモササエ | WICK SUPPORT | |
| 33 | 062400616 | 2 | ナベコ4X6 | SCREW PAN M4X6 | |
| 34 | SA2724001 | 1 | クミヒモ | WICK, L=400 | |
| 35 | SA4011001 | 1 | ビニルチューブ L=100 | OIL TUBE L=100 | |



J. ゲージ関係 / Gauge parts

| REF.NO | CODE | Q'TY | 品名 | NAME OF PARTS | RM |
|--------|-----------|------|------------------|----------------------------|----|
| 1+ | * P.62-64 | 1 | ハリダキLクミ | NEEDLE CLAMP ASSY, L | |
| 2+ | * P.62-64 | 1 | ハリダキRクミ | NEEDLE CLAMP ASSY, R | |
| 3 | 013660412 | 2 | トメクボミ3.18-40X4 | SET SCREW (CP) SM3.18-40X4 | |
| 4 | S13085001 | 2 | トメネジ3.18 | SET SCREW, SM3.18 | |
| 5 | 149831101 | 2 | アタマツキトメネジ3.18 | SET SCREW SM3.18 | |
| 6+ | * P.62-64 | 1 | ハリイタ | NEEDLE PLATE | |
| 7 | S11244001 | 1 | シメネジ4.37 | SCREW, SM4.37 | |
| 8 | SC0568001 | 1 | サラネジ4.37 | SCREW FLAT SM4.37-40X8 | |
| 9+ | * P.62-64 | 1 | オサエクミ | PRESSER FOOT ASSY | |
| 10 | 113050001 | 1 | シメネジ3.57 | SCREW, SM3.57 | |
| 11+ | * P.62-64 | 1 | オクリバ | FEED DOG | |
| 12 | S07494001 | 2 | シメネジ3.18 | SCREW, W/SOCKET SM3.18X7 | |
| | | | <-403用> | <For -403> | |
| 13+ | | | マシンハリ DPX5…(#14) | NEEDLE DPX5…(#14) | |
| | | | <-405用> | <For -405> | |
| 13+ | | | マシンハリ DPX5…(#22) | NEEDLE DPX5…(#22) | |

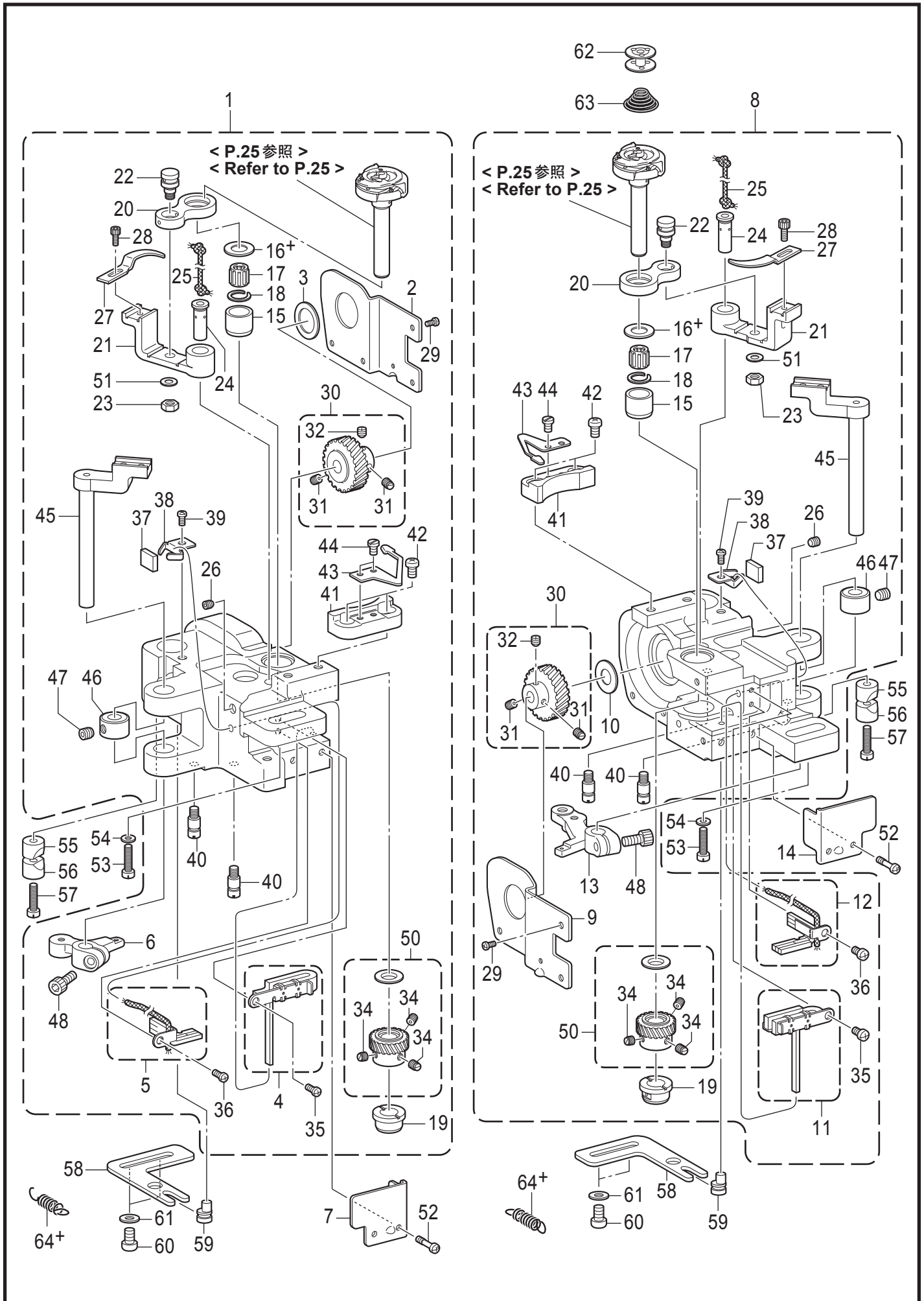
K1. かま関係 / Rotary hook mechanism



K1. かま関係 / Rotary hook mechanism

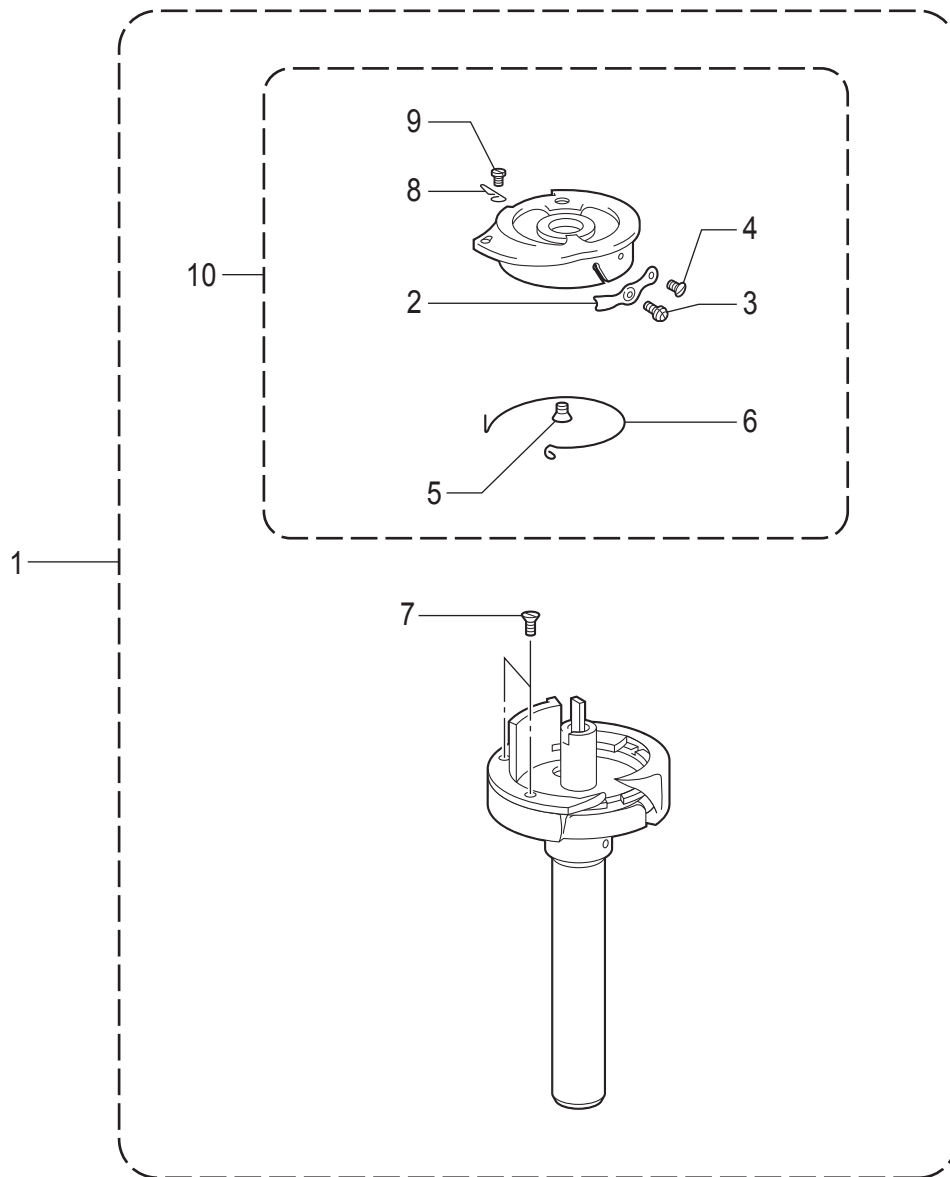
| REF.NO | CODE | Q'TY | 品名 | NAME OF PARTS | RM |
|--------|-----------|------|---------------------|---------------------------------|----|
| 1 | SB4833101 | 1 | カマドダイ845TR-LクミC | R-HOOK BASE ASSY 845TR(L) C | |
| 2 | SA2562201 | 1 | カマドダイカバー-L | ROTARY HOOK BASE COVER L | |
| 3 | SA3054001 | 1 | スラストザガネL | THRUST WASHER, L | |
| 4 | SA6424201 | 1 | フェルトULクミ | FELT UL ASSY | |
| 5 | SA4044001 | 1 | フェルトDLクミ | FELT DL ASSY | |
| 6 | SA2671001 | 1 | イトキリレバー-L | THREAD TRIMMER LEVER, L | |
| 7 | SA6462001 | 1 | カマドダイカバー-FL | ROTARY HOOK BASE COVER FL | |
| 8 | SB4834101 | 1 | カマドダイ845TR-RクミC | R-HOOK BASE ASSY 845TR(R) C | |
| 9 | SA2563301 | 1 | カマドダイカバー-R | ROTARY HOOK BASE COVER R | |
| 10 | SA2579001 | 1 | スラストザガネ | SPACER | |
| 11 | SA6425201 | 1 | フェルトURクミ | FELT UR ASSY | |
| 12 | SA4045001 | 1 | フェルトDRクミ | FELT DR ASSY | |
| 13 | SA2670101 | 1 | イトキリレバー-R | THREAD TRIMMER LEVER R | |
| 14 | SA6463001 | 1 | カマドダイカバー-FR | ROTARY HOOK BASE COVER FR | |
| 15 | SA4029001 | 2 | カマジクメタルU | ROTARY HOOK SHAFT BUSH | |
| 16+ | S09260001 | 2 | スラストリングA< t=1.2 > | THRUST RING A: 1.2MM < t=1.2 > | |
| 16+ | SA4038001 | 2 | スラストリング< t=1.0 > | THRUST RING < t=1.0 > | |
| 16+ | S09261001 | 2 | スラストリングB< t=1.4 > | THRUST RING, B: 1.4MM < t=1.4 > | |
| 16+ | SA4444001 | 2 | スラストリング0.8< t=0.8 > | THRUST RING 0.8MM < t=0.8 > | |
| 17 | S07420000 | 2 | ニードルベアリング | NEEDLE BEARING | |
| 18 | S07419001 | 2 | ストツプリング | RETAINING RING | |
| 19 | SA6474001 | 2 | カマジクメタルD | ROTARY HOOK SHAFT BUSH | |
| 20 | SB4193001 | 2 | オープナーリンク | OPENER LINK | |
| 21 | SA3859101 | 2 | オープナーレバー | OPENER LEVER | |
| 22 | SA2560001 | 2 | オープナーリンクジク | SHAFT O-LINK | |
| 23 | 021500316 | 2 | 3シュナット5 | NUT 3 M5 | |
| 24 | SA3889101 | 2 | オープナーレバージク | O-LEVER SHAFT | |
| 25 | SA4026001 | 2 | クミヒモ4X4 L=100 | WICK, 4X4 L=100 | |
| 26 | 012501031 | 2 | アナヒラ5X10 | SET SCREW SOCKET (FT) M5X10 | |
| 27 | S38212001 | 2 | オープナー | OPENER | |
| 28 | 154965001 | 2 | アナボルト3.57X8 | BOLT, SOCKET SM3.57X8 | |
| 29 | 062300612 | 8 | ナベコ3X6 | SCREW PAN M3X6 | |
| 30 | SA2572101 | 2 | スパイラルギヤ ネジツキ | SPIRAL GEAR SCREW ASSY | |
| 31 | SA2574001 | 4 | トメネジM6ホソメ | SET SCREW, (FT) M6 | |
| 32 | SA2575001 | 2 | トメネジM6ホソメ | SET SCREW (FT) M6 | |
| 34 | SA2574001 | 6 | トメネジM6ホソメ | SET SCREW, (FT) M6 | |
| 35 | 062400616 | 2 | ナベコ4X6 | SCREW PAN M4X6 | |
| 36 | 062400616 | 2 | ナベコ4X6 | SCREW PAN M4X6 | |
| 37 | SA4012001 | 2 | フェルト | FELT | |
| 38 | SA3894001 | 2 | フェルトオサエ | FELT SUPPORT | |
| 39 | 062400616 | 2 | ナベコ4X6 | SCREW PAN M4X6 | |
| 40 | SA2717001 | 4 | ストツパネジ | STOPPER SCREW | |
| 41 | SA2676001 | 2 | イドウハウケ | MOVABLE KNIFE BRACKET | |
| 42 | 062400812 | 4 | ナベコ4X8 | SCREW PAN M4X8 | |
| 43 | S07525100 | 2 | シタイトホジバネ | SPRING PLATE | |
| 44 | 141544001 | 4 | シメネジ3.18 | SCREW, SM3.18-40X3 | |
| 45 | SA3912001 | 2 | イドウハレバー | MOVABLE KNIFE LEVER | |
| 46 | SA2675001 | 2 | セツトカラ | SET SCREW COLLAR | |
| 47 | S23651001 | 2 | アナヒラ6X6ホソメ | SET SCREW SOCKET (FT) M6X6 | |
| 48 | 018501232 | 2 | アナボルト5X12 | BOLT SOCKET M5X12 | |
| 50 | SA6307201 | 2 | ピニオンセット | PINION GEAR SET | |

K1. かま関係 / Rotary hook mechanism



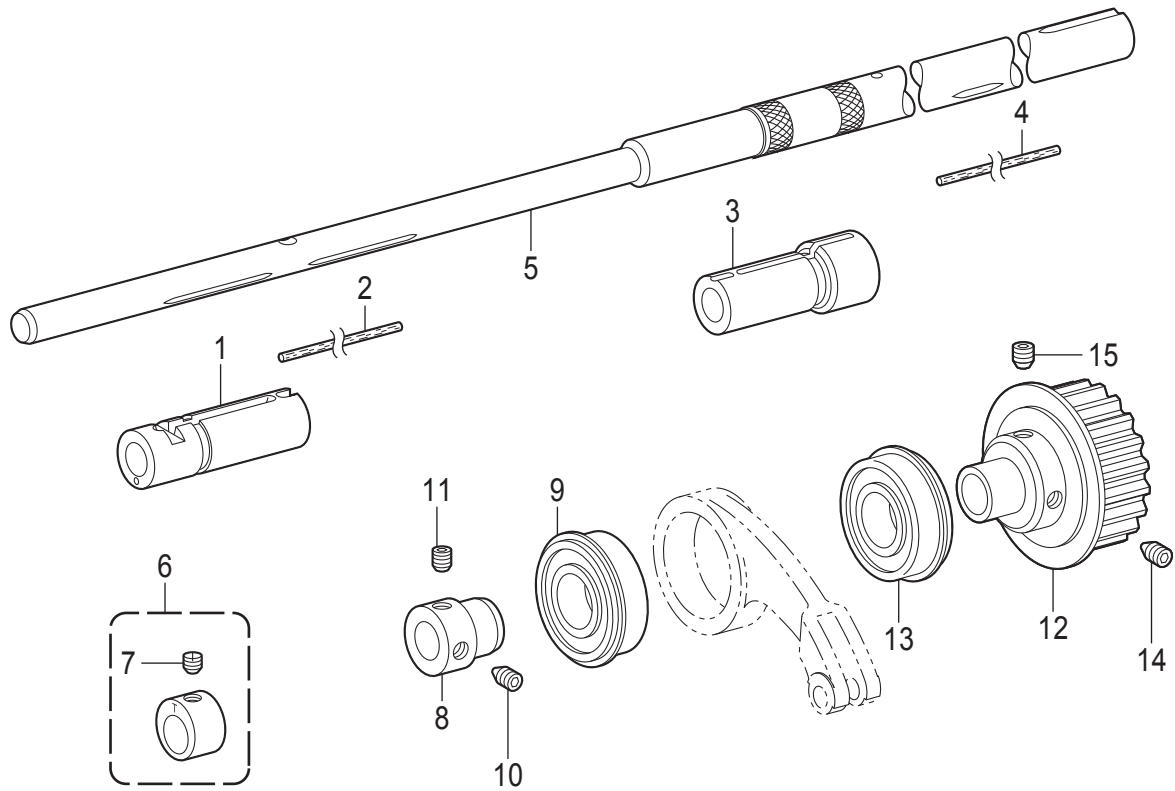
K1. かま関係 / Rotary hook mechanism

| REF.NO | CODE | Q'TY | 品名 | NAME OF PARTS | RM |
|--------|-----------|------|--------------|--------------------------------|----|
| 51 | SB2330001 | 2 | ヒラザガネシヨウ4.76 | WASHER PLAIN S SM4.76 | |
| 52 | SA6417001 | 4 | シメネジM4X12 | SCREW M4X12 | |
| 53 | SA2556001 | 2 | シメネジM6X25 | SCREW, M6X25 | |
| 54 | 115947101 | 2 | ザガネ | WASHER PLAIN 6.35 | |
| 55 | SA2722001 | 2 | ピンチスリーブA | PINCH SLEEVE A | |
| 56 | SA2565001 | 2 | ピンチスリーブB | PINCH SLEEVE B | |
| 57 | SA2556001 | 2 | シメネジM6X25 | SCREW, M6X25 | |
| 58 | SA2567001 | 2 | ハリスキチヨウセツイタ | NEEDLE UPPER ADJUSTING PLATE | |
| 59 | SA2568001 | 2 | ハリスキチヨウセツジク | NEEDLE UPPER POSITIONING SHAFT | |
| 60 | 062061016 | 4 | ナベコ6X10 | SCREW PAN M6X10 | |
| 61 | 025060136 | 4 | ヒラザガネシヨウ6 | WASHER PLAIN S 6 | |
| 62 | S01928151 | 2 | ボビン | BOBBIN | |
| 63 | 148602001 | 2 | クウテンボウシバネ | ANTI-SPIN SPRING | |
| | | | <-403用> | <For -403> | |
| 64+ | SA4458001 | 2 | イトキリレバーバネB | SPRING, EXTENSION B | |
| | | | <-405用> | <For -405> | |
| 64+ | SA2826001 | 2 | イトキリレバーバネ | SPRING, EXTENSION | |



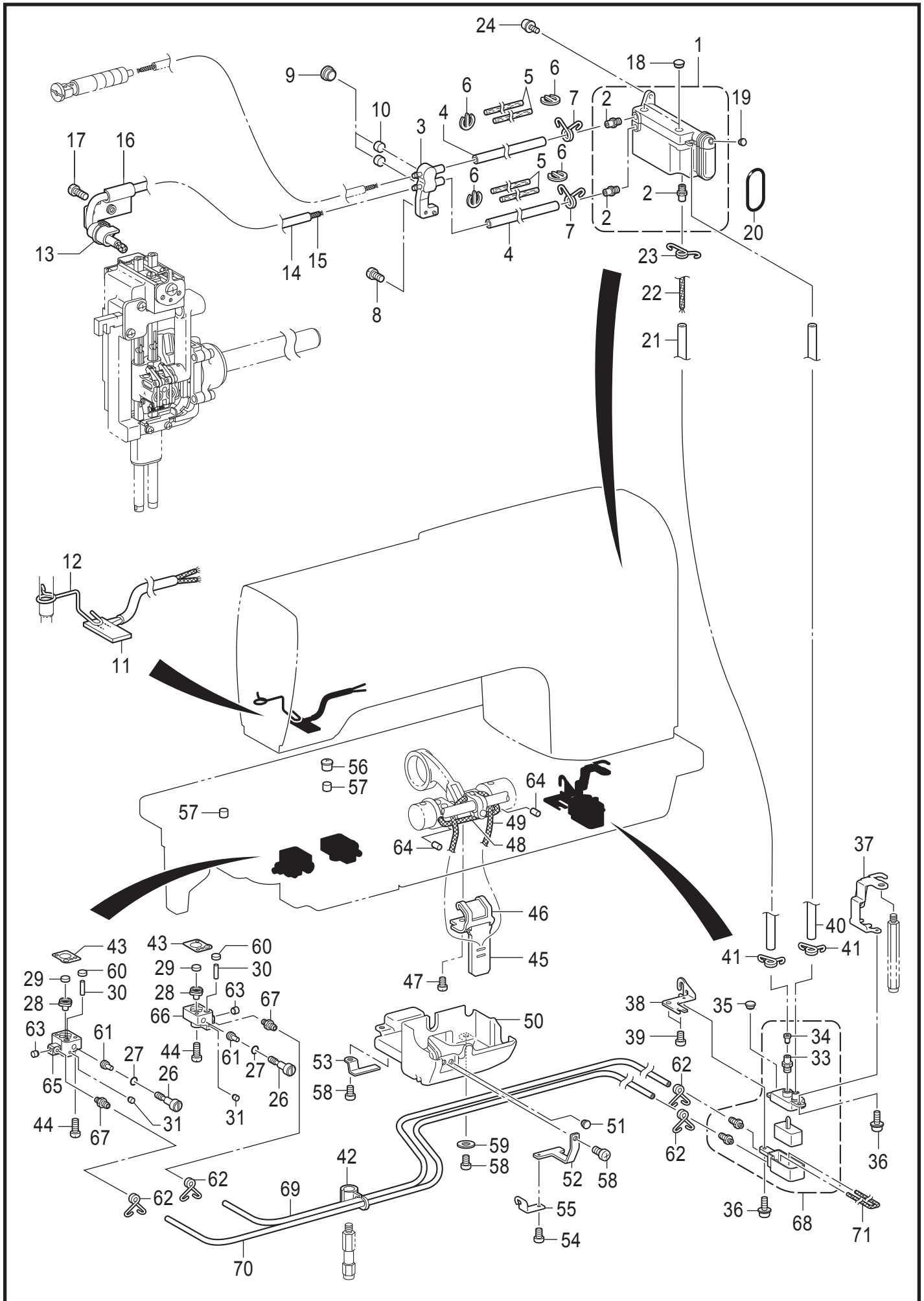
K2. かま関係 / Rotary hook mechanism

| REF.NO | CODE | Q'TY | 品名 | NAME OF PARTS | RM |
|--------|-----------|------|----------------|-------------------------------|----|
| 1 | SA9783001 | 1 | SA9457カマハコクミ | ROTARY HOOK ASSY W/BOX SA9457 | |
| 2 | 151043001 | 1 | チヨウシバネ | TENSION SPRING | |
| 3 | S01567001 | 1 | チヨウシネジ | TENSION ADJUSTING SCREW | |
| 4 | S01568001 | 1 | チヨウシバネトメネジ | SET SCREW | |
| 5 | 151035001 | 1 | タルミトリバネトメネジ | SET SCREW | |
| 6 | 151034001 | 1 | シタイトタルミトリバネ | SPRING | |
| 7 | 151027001 | 2 | ウチカマオサエトメネジ | SET SCREW | |
| 8 | 159801001 | 1 | イトオサエワイヤー | THREAD PRESSER WIRE | |
| 9 | SA8266001 | 1 | シメネジSM1.59X1.6 | SCREW SM1.59X1.6 | |
| 10 | S07742001 | 1 | キャップクミ | CAP ASSY | |



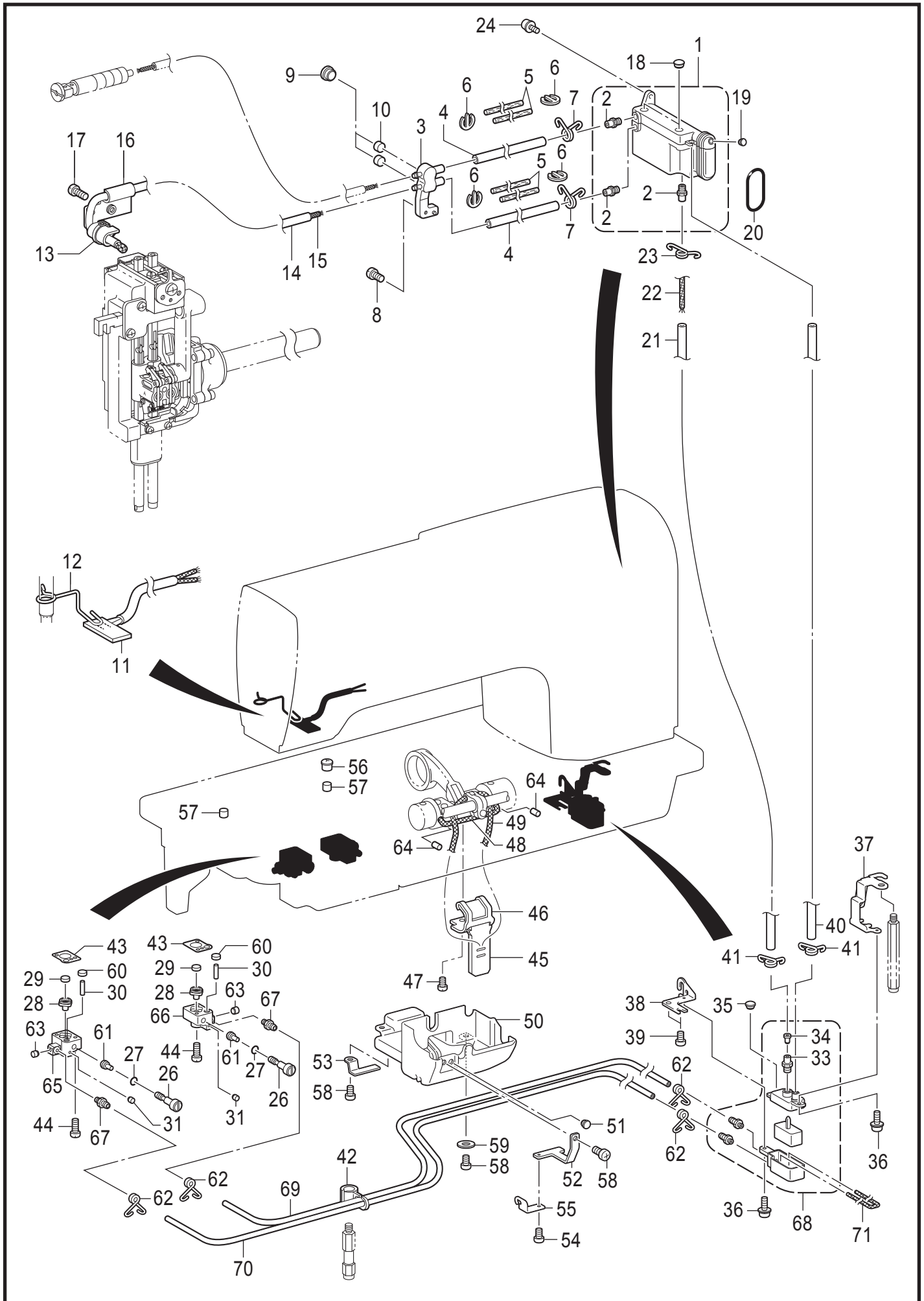
L. 下軸関係 / Lower shaft mechanism

| REF.NO | CODE | Q'TY | 品名 | NAME OF PARTS | RM |
|--------|-----------|------|----------------|--------------------------------|----|
| 1 | SA3890001 | 1 | カマドダイメタルL | ROTARY HOOK BASE BUSH, L | |
| 2 | SA4585001 | 1 | フェルト | FELT | |
| 3 | SA3891001 | 1 | カマドダイメタルR | ROTARY HOOK BASE BUSH, R | |
| 4 | SA4585001 | 1 | フェルト | FELT | |
| 5 | SA2571101 | 1 | シタジク | LOWER SHAFT | |
| 6 | SA2580101 | 1 | ジヨウゲヘンシンリンTRクミ | F-LIFTING ECCENTRIC WHEEL ASSY | |
| 7 | SA2575001 | 1 | トメネジM6ホソメ | SET SCREW (FT) M6 | |
| 8 | SA2584001 | 1 | タマジクウケブツシュ | BALL BEARING BUSH | |
| 9 | SB1535001 | 1 | タマジクウケ6004ZZNR | BALL BEARING 6004ZZNR | |
| 10 | SA2585001 | 1 | アナトガリ6X10ホソメ | SET SCREW, SOCKET (FT) M6 | |
| 11 | S23651001 | 1 | アナヒラ6X6ホソメ | SET SCREW SOCKET (FT) M6X6 | |
| 12 | SA2587101 | 1 | タイミングプーリDクミ | TIMING PULLEY ASSY, D | |
| 13 | SB1536001 | 1 | タマジクウケ6204ZZNR | BALL BEARING 6204ZZNR | |
| 14 | SA2585001 | 1 | アナトガリ6X10ホソメ | SET SCREW, SOCKET (FT) M6 | |
| 15 | SA4213001 | 1 | アナトメネジ6X10ホソメ | SET SCREW SOCKET (CP) M6X10 | |



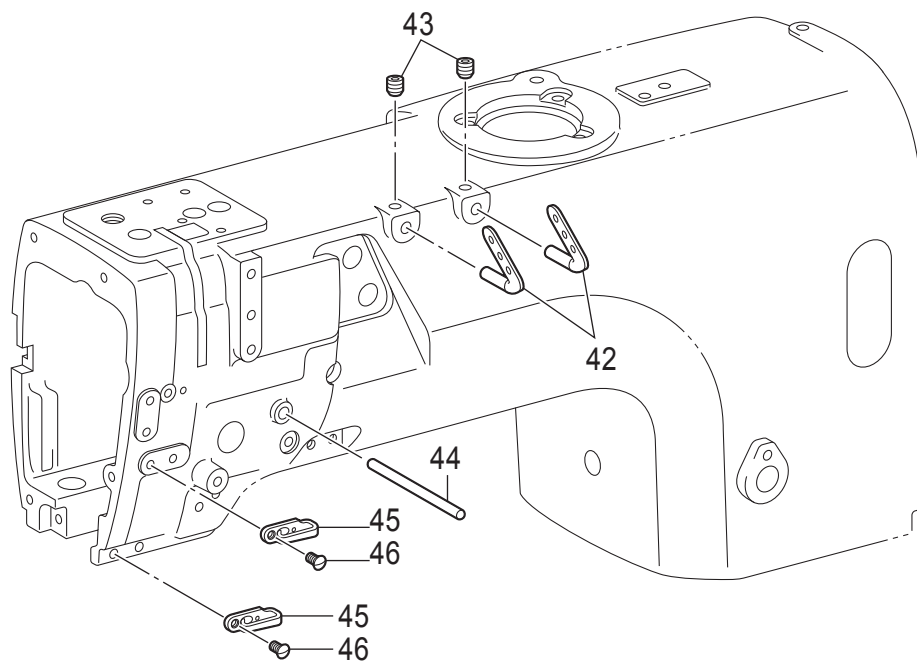
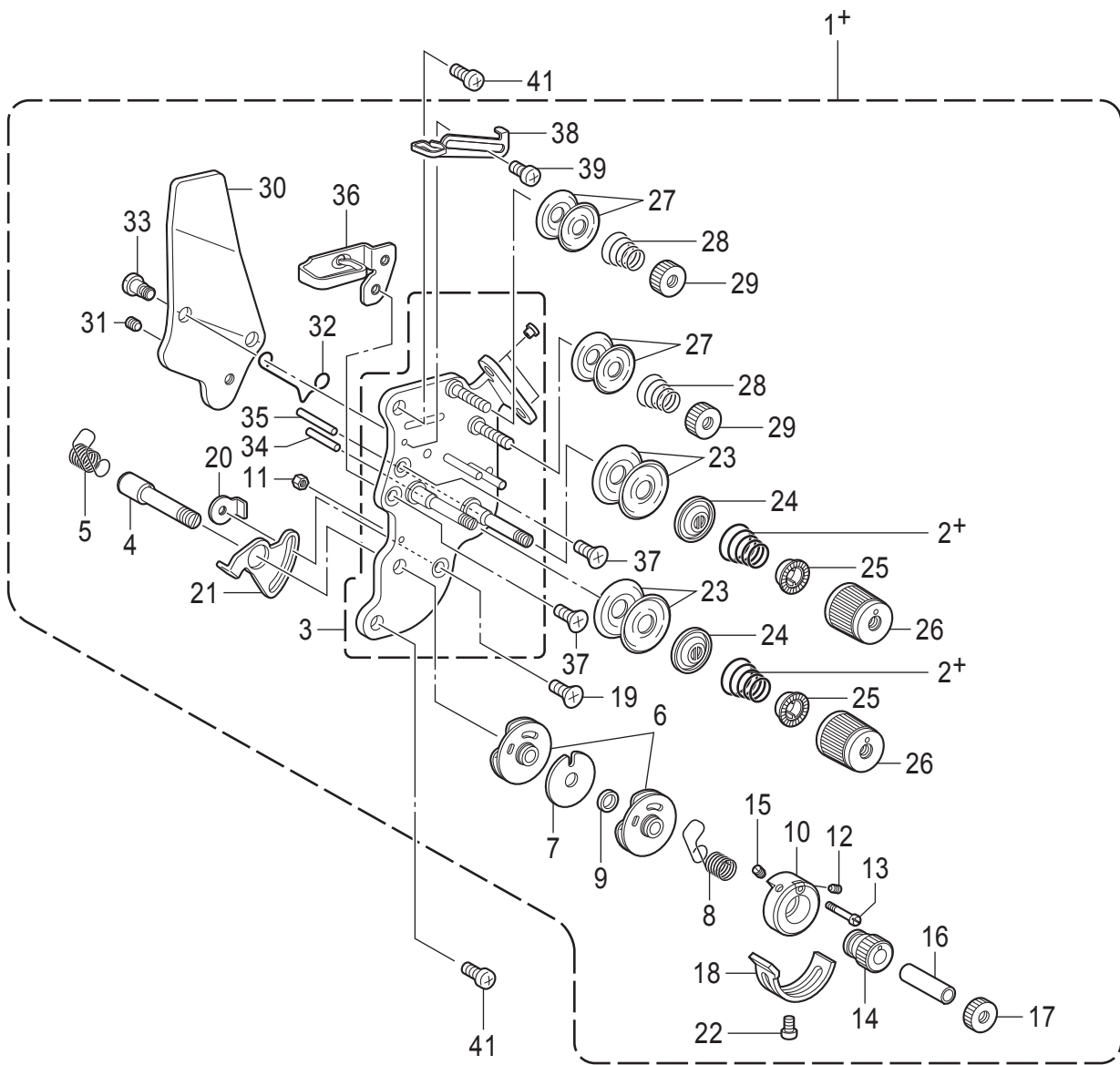
M. 給油潤滑関係 / Lubrication

| REF.NO | CODE | Q'TY | 品名 | NAME OF PARTS | RM |
|--------|-----------|------|---------------|------------------------------|----|
| 1 | SA2814201 | 1 | オイルタンククミ | OIL TANK ASSY | |
| 2 | SA3040001 | 3 | オイルクチ | OIL FEEDING PIPE | |
| 3 | SA3946001 | 1 | キュウユタ-ミナル | OIL TERMINAL | |
| 4 | SA2956001 | 2 | ビニルチューブ | OIL TUBE L=135 | |
| 5 | SA2957001 | 4 | フェルト | FELT | |
| 6 | SA6178001 | 4 | クリップ | CLIP | |
| 7 | SA3055101 | 2 | チューブストツパー | TUBE CLIP | |
| 8 | 062500816 | 1 | ナベコ5X8 | SCREW PAN M5X8 | |
| 9 | SA2929001 | 2 | ゴムセン12.5 | RUBBER CAP, 12.5 | |
| 10 | S38266000 | 2 | カマジクフェルト | ROTARY HOOK SHAFT FELT | |
| 11 | SA5224001 | 1 | フェルトクミ | FELT ASSY | |
| 12 | SA4033101 | 1 | フェルトオサエ | FELT SUPPORT | |
| 13 | 228475000 | 1 | ケツソクバンド1.9X80 | FASTENING BAND 1.9X80 | |
| 14 | S49623000 | 1 | ビニルチューブ | OIL TUBE L=280 | |
| 15 | SA5293001 | 1 | クミヒモ | WICK L=410 | |
| 16 | SA5154201 | 1 | キュウユササエ | OIL SUPPORT | |
| 17 | 062501016 | 1 | ナベコ5X10 | SCREW PAN M5X10 | |
| 18 | SA2929001 | 2 | ゴムセン12.5 | RUBBER CAP, 12.5 | |
| 19 | 104450101 | 1 | ゴムセン8 | RUBBER CAP, 8 | |
| 20 | 081038070 | 1 | OリングP38 | O RING P38 | |
| 21 | SA2723001 | 1 | ビニルチューブ | OIL TUBE L=210 | |
| 22 | SA2724001 | 1 | クミヒモ | WICK, L=400 | |
| 23 | SA3055101 | 1 | チューブストツパー | TUBE CLIP | |
| 24 | 0A5501006 | 2 | +ナベザクミ5X10DB | SCREW PAN (S/P WASHER) M5X10 | |
| 26 | SA6475001 | 2 | オイルチヨウセツネジ | OIL ADJUSTING SCREW | |
| 27 | 081004070 | 2 | OリングP4 | O RING P4 | |
| 28 | SA6468001 | 2 | ゴムパツキン | RUBBER PACKING | |
| 29 | SA6423001 | 2 | カマジクフェルト | ROTARY HOOK SHAFT FELT | |
| 30 | SA6415001 | 2 | クミヒモ | WICK L=80 | |
| 31 | 142274201 | 2 | ゴムセン4.2 | RUBBER CAP 4.2 | |
| 33 | SA3040001 | 1 | オイルクチ | OIL FEEDING PIPE | |
| 34 | SA3060001 | 1 | バルブパツキン | VALVE PACKING | |
| 35 | 104450101 | 1 | ゴムセン8 | RUBBER CAP, 8 | |
| 36 | 0A4400806 | 2 | +ナベザクミ4X8DA | SCREW PAN (S/P WASHER) M4X8 | |
| 37 | SA3045201 | 1 | サブタンクトリツケイタA | SUB-TANK SETTING PLATE A | |
| 38 | SA3046001 | 1 | サブタンクトリツケイタB | SUB-TANK SETTING PLATE, B | |
| 39 | 062060816 | 2 | ナベコ6X8 | SCREW PAN M6X8 | |
| 40 | SA3044001 | 1 | ビニルチューブ | OIL TUBE L=242 | |
| 41 | SA3055101 | 2 | チューブストツパー | TUBE CLIP | |
| 42 | SA6472001 | 1 | チューブササエ | TUBE SUPPORT | |
| 43 | SB4608001 | 2 | カマドダイDパツキン | ROTARY HOOK BASE D PACKING | |
| 44 | 062401616 | 4 | ナベコ4X16 | SCREW PAN M4X16 | |
| 45 | SA2604001 | 1 | キリカエキフェルト | FEED REGULATOR FELT | |
| 46 | SA2605001 | 1 | フェルトオサエイタ | FELT SUPPORT | |
| 47 | 062500616 | 1 | ナベコ5X6 | SCREW PAN M5X6 | |
| 48 | 109405001 | 1 | クミヒモ4X4 | WICK 4X4 (L=100) | |
| 49 | 108801001 | 1 | クミヒモ4X4 | WICK, 4X4 L=350 | |
| 50 | SA2606101 | 1 | オイルカバー | OIL COVER | |
| 51 | 104450101 | 1 | ゴムセン8 | RUBBER CAP, 8 | |
| 52 | SA3048101 | 1 | チューブオサエA | TUBE SUPPORT, A | |
| 53 | SA3049001 | 1 | チューブオサエB | TUBE SUPPORT, B | |
| 54 | 062400616 | 1 | ナベコ4X6 | SCREW PAN M4X6 | |
| 55 | SA6473001 | 1 | チューブガイド | TUBE GUIDE | |
| 56 | 140890009 | 1 | オイルカツブ | OIL CAP | |
| 57 | 112753001 | 2 | フェルト | FELT | |
| 58 | 062061016 | 3 | ナベコ6X10 | SCREW PAN M6X10 | |
| 59 | 025060236 | 1 | ヒラザガネチュウ6 | WASHER PLAIN M 6 | |
| 60 | SA6423001 | 2 | カマジクフェルト | ROTARY HOOK SHAFT FELT | |



M. 給油潤滑関係 / Lubrication

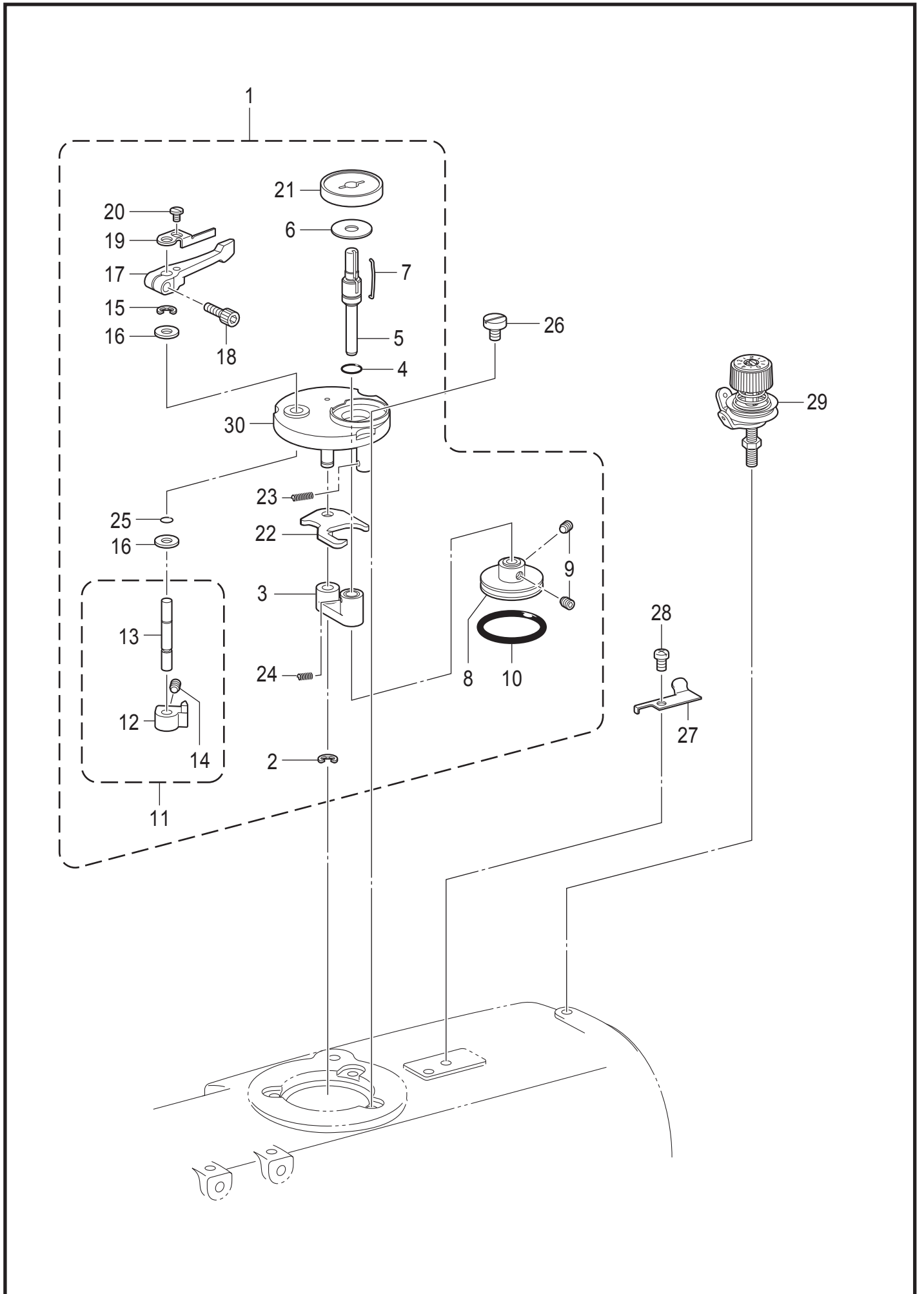
| REF.NO | CODE | Q'TY | 品名 | NAME OF PARTS | RM |
|--------|-----------|------|-----------|----------------------|----|
| 61 | SA6416001 | 2 | ゴムオサエ | RUBBER PRESSER | |
| 62 | SA6414001 | 4 | チューブストツパー | TUBE CLIP | |
| 63 | 140327001 | 2 | ゴムセン6.3 | RUBBER CAP, 6.3 | |
| 64 | 148743001 | 2 | フェルト | FELT | |
| 65 | SA6465001 | 1 | キューブブロックL | OIL BLOCK L | |
| 66 | SA6467001 | 1 | キューブブロックR | OIL BLOCK R | |
| 67 | SA6422001 | 2 | オイルクチ3.8 | OIL FEEDING PIPE 3.8 | |
| 68 | SA6470101 | 1 | サブタンククミ | SUB-TANK ASSY | |
| 69 | SA6412001 | 1 | ビニルチューブ | OIL TUBE L=400 | |
| 70 | SA6411001 | 1 | ビニルチューブ | OIL TUBE L=500 | |
| 71 | SA6413001 | 1 | フェルト | FELT L=1050 | |



N. 糸通し関係 / Threading mechanism

| REF.NO | CODE | Q'TY | 品名 | NAME OF PARTS | RM |
|--------|-----------|------|-------------------------|--|----|
| 1+ | SA3417501 | 1 | <-403用> ウワイトチヨウシクミ-3 | <For -403> UPPER THREAD TENSION ASSY -3 | |
| 2+ | SA3415001 | 2 | イトチヨウシバネL | TENSION SPRING, L | |
| 1+ | SA2607501 | 1 | <-405用> ウワイトチヨウシクミ-5 | <For -405> UPPER THREAD TENSION ASSY -5 | |
| 2+ | SA3416101 | 2 | イトチヨウシバネLL | TENSION SPRING LL | |
| 3 | SA4212001 | 1 | イトチヨウシダイクミ | TENSION PLATE ASSY | |
| 4 | SA2613101 | 1 | チヨウシジク | TENSION STUD | |
| 5 | SA2614201 | 1 | イトトリバネL | THREAD TAKE-UP SPRING L | |
| 6 | SA2615001 | 2 | イトトリバネアンナイクミ | GUIDE ASSY, T/TAKE-UP SPRING | |
| 7 | SA2619001 | 1 | スペーサー | SPACER | |
| 8 | SA2623201 | 1 | イトトリバネR | THREAD TAKE-UP SPRING R | |
| 9 | SA2620001 | 1 | カラ- | COLLAR | |
| 10 | SA2621001 | 1 | ストツパウケ | STOPPER SUPPORT | |
| 11 | 021300106 | 1 | 1シュナツ3 | NUT 1 M3 | |
| 12 | SA2626001 | 1 | トメネジ3.5 | SET SCREW (CP) M3.5 | |
| 13 | SA2624001 | 1 | バネアンナイトメネジ | SPRING GUIDE SET SCREW | |
| 14 | SA2625001 | 1 | チヨウセツツマミ | ADJUSTING THUMB | |
| 15 | SA2626001 | 1 | トメネジ3.5 | SET SCREW (CP) M3.5 | |
| 16 | SA2627001 | 1 | カラ- | COLLAR | |
| 17 | SA2628001 | 1 | イトチヨウシナツト | TENSION NUT | |
| 18 | SA2629001 | 1 | イトトリバネストツパ | STOPPER | |
| 19 | 004350616 | 1 | +サラコ3.5X6 | SCREW FLAT M3.5X6 | |
| 20 | SA2824001 | 1 | マワリドメナツトM3.5 | NUT, WHIRL-STOP M3.5 | |
| 21 | SA2630001 | 1 | イトトリバネストツパ | STOPPER | |
| 22 | 062350516 | 1 | ナベコ35X5 | SCREW PAN M3.5X5 | |
| 23 | 145446002 | 4 | イトチヨウシサラ | DISC TENSION | |
| 24 | 159805001 | 2 | イトチヨウシサラオサエ | TENSION DISC PRESSER | |
| 25 | S20681000 | 2 | チヨウシバネウエザガネ | WASHER | |
| 26 | S20682111 | 2 | イトチヨウシナツト | TENSION NUT | |
| 27 | 144504001 | 4 | イトアンナイサラ | THREAD GUIDE DISC | |
| 28 | 154560101 | 2 | プレテンションバネA | PRE-TENSION SPRING A | |
| 29 | 155510001 | 2 | イトチヨウシナツト | TENSION NUT | |
| 30 | SA2632001 | 1 | イトユルメイタ | TENSION RELEASE PLATE | |
| 31 | 012500536 | 1 | アナヒラ5X5 | SET SCREW SOCKET (FT) M5X5 | |
| 32 | S38274001 | 1 | イトユルメバネ | T-RELEASE SPRING | |
| 33 | SA2633001 | 2 | ダンネジ3.5 | SHOULDER SCREW M3.5 | |
| 34 | SA4506001 | 1 | イトユルメピンL | TENSION RELEASE PIN, L | |
| 35 | SA4507001 | 1 | イトユルメピンR | TENSION RELEASE PIN, R | |
| 36 | SA2634001 | 1 | ア-ムイトアンナイU | THREAD GUIDE, U: ARM | |
| 37 | 004350616 | 2 | +サラコ3.5X6 | SCREW FLAT M3.5X6 | |
| 38 | SA2635001 | 1 | イトリヨウチヨウセイ | THREAD QUANTITY ADJUST | |
| 39 | 062300616 | 1 | ナベコ3X6 | SCREW PAN M3X6 | |
| 41 | 062500816 | 2 | ナベコ5X8 | SCREW PAN M5X8 | |
| 42 | SA2636001 | 2 | ミツメイトカケ | THREAD RETAINER | |
| 43 | 012060636 | 2 | アナヒラ6X6 | SET SCREW SOCKET (FT) M6X6 | |
| 44 | SA2637001 | 1 | イトユルメジク | BAR, TENSION RELEASE | |
| 45 | SA2638001 | 2 | ア-ムイトアンナイM | THREAD GUIDE, M: ARM | |
| 46 | SA2640001 | 2 | サラネジ5X8 | SCREW FLAT M5X8 | |

P. 糸巻関係 / Bobbin winder mechanism

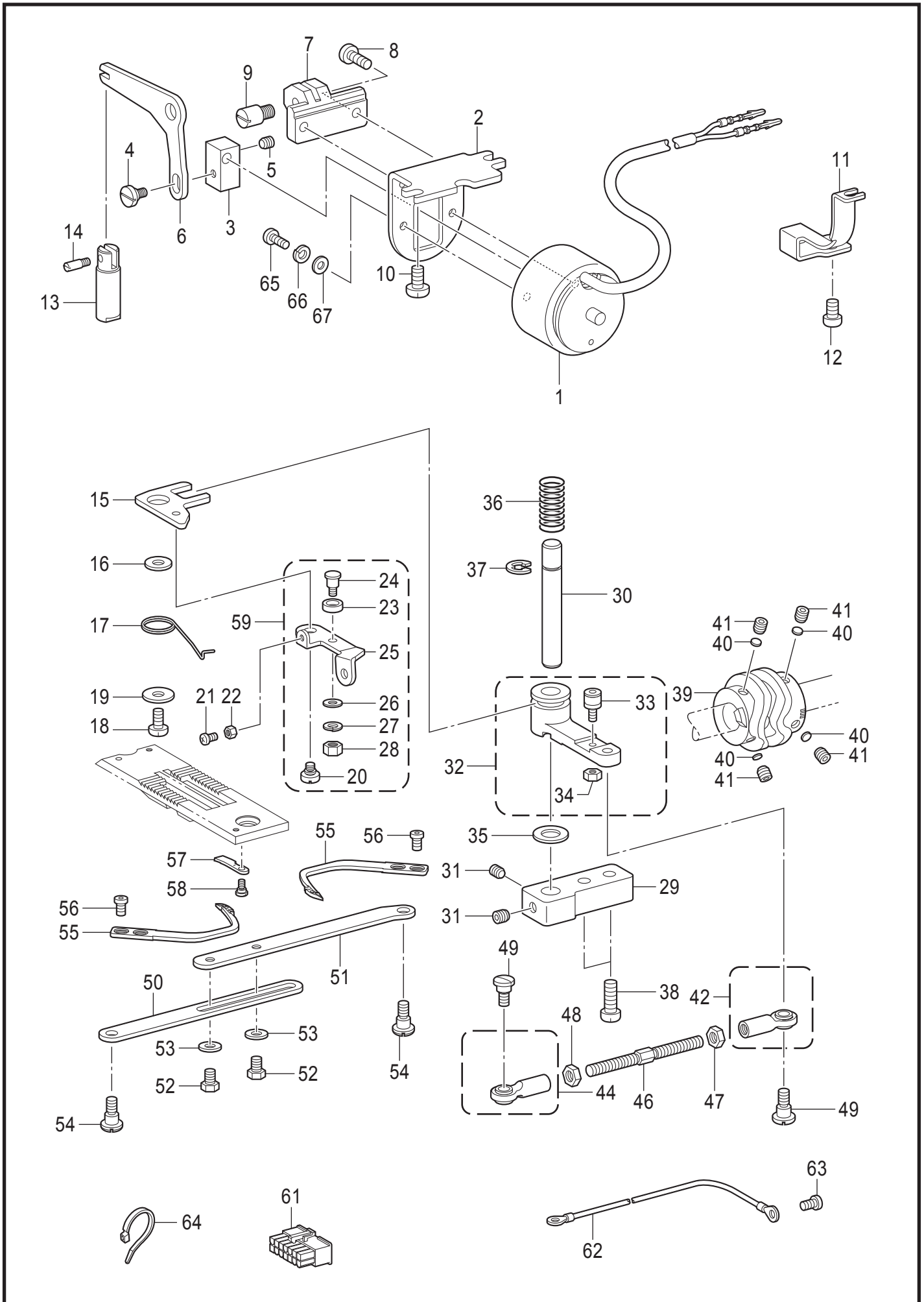


T-8452D-402

P. 糸巻関係 / Bobbin winder mechanism

| REF.NO | CODE | Q'TY | 品名 | NAME OF PARTS | RM |
|--------|-----------|------|------------|-----------------------------|----|
| 1 | SB2245002 | 1 | イトマキユニット | BOBBIN WINDER UNIT | |
| 2 | 048040342 | 1 | トメワE4 | RETAINING RING E4 | |
| 3 | SA8508001 | 1 | イトマキジクウケクミ | B-WINDER SHAFT SUPPORT ASSY | |
| 4 | 108549001 | 1 | Oリング | O RING | |
| 5 | SB2247001 | 1 | イトマキジク | BOBBIN WINDER SHAFT | |
| 6 | SB2275001 | 1 | シート | SHEET | |
| 7 | SA9563001 | 1 | ボビンコティバネ | BOBBIN FIXED SPRING | |
| 8 | SA8507001 | 1 | イトマキクルマ | BOBBIN WINDER WHEEL | |
| 9 | 012400636 | 2 | アナヒラ4X6 | SET SCREW SOCKET (FT) M4X6 | |
| 10 | SA8503001 | 1 | ゴムリング | RUBBER RING | |
| 11 | SA1981301 | 1 | ボビンオサエカムクミ | BOBBIN PRESSER CAM ASSY | |
| 12 | SA1982101 | 1 | ボビンオサエカム | BOBBIN PRESSER CAM | |
| 13 | SA1983201 | 1 | イトマキウデジク | BOBBIN WINDER ARM SHAFT | |
| 14 | 012500536 | 1 | アナヒラ5X5 | SET SCREW SOCKET (FT) M5X5 | |
| 15 | 048040342 | 1 | トメワE4 | RETAINING RING E4 | |
| 16 | 025060136 | 2 | ヒラザガネショウ6 | WASHER PLAIN S 6 | |
| 17 | SA1984001 | 1 | ボビンオサエウデ | BOBBIN PRESSER ARM | |
| 18 | 018401236 | 1 | アナボルト4X12 | BOLT SOCKET M4X12 | |
| 19 | SA1985001 | 1 | ボビンオサエ | BOBBIN PRESSER | |
| 20 | S23418002 | 1 | シメネジ4X5 | SCREW M4X5 | |
| 21 | SB2246001 | 1 | ボビンウケ | BOBBIN SUPPORT | |
| 22 | SA8512101 | 1 | イトマキレバー | BOBBIN WINDER LEVER | |
| 23 | SA1990101 | 1 | モトシバネ | SPRING | |
| 24 | SA8509001 | 1 | イトマキダイバネ | BOBBIN WINDER BASE SPRING | |
| 25 | SA2190001 | 1 | OリングSS5 | O RING SS5 | |
| 26 | SA1992101 | 3 | イトマキコティネジ | BOBBIN WINDER FIXED SCREW | |
| 27 | SA1360101 | 1 | メス | KNIFE | |
| 28 | 062500616 | 1 | ナベコ5X6 | SCREW PAN M5X6 | |
| 29 | SB3571101 | 1 | イトマキチヨウシクミ | BOBBIN WINDER TENSION ASSY | |
| 30 | SA8982202 | 1 | イトマキダイ | BOBBIN WINDER BASE | |

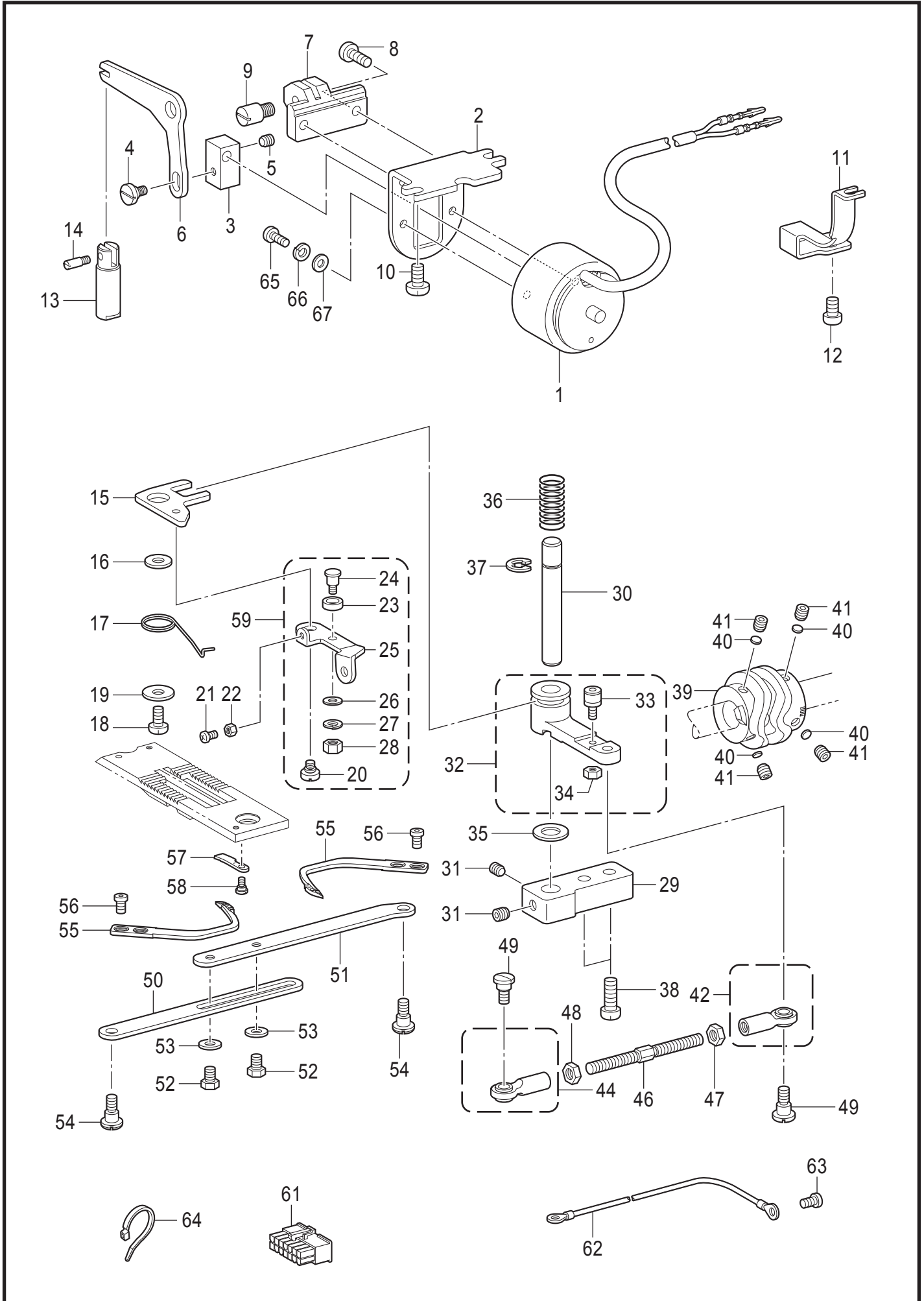
Q. 糸切り関係 / Thread trimmer mechanism



Q. 糸切り関係 / Thread trimmer mechanism

| REF.NO | CODE | Q'TY | 品名 | NAME OF PARTS | RM |
|--------|-----------|------|--------------|-------------------------------|----|
| 1 | SB9907001 | 1 | イトキリソレノイド | THREAD TRIMMER SOLENOID | |
| 2 | SA2643001 | 1 | ソレノイドシジイタ | SOLENOID BRACKET | |
| 3 | SA2644001 | 1 | ソレノイドツギテ | SOLENOID JOINT | |
| 4 | SA2645001 | 1 | ダンネジM5 | SHOULDER SCREW, M5 | |
| 5 | 012500536 | 1 | アナヒラ5X5 | SET SCREW SOCKET (FT) M5X5 | |
| 6 | SA2646001 | 1 | ソレノイドレバー | SOLENOID LEVER | |
| 7 | SA2728001 | 1 | ソレノイドレバーウケ | SOLENOID LEVER BRACKET | |
| 8 | 062501016 | 2 | ナベコ5X10 | SCREW PAN M5X10 | |
| 9 | SA2647001 | 1 | ソレノイドレバージク | SOLENOID LEVER SHAFT | |
| 10 | 062061012 | 2 | ナベコ6X10 | SCREW PAN M6X10 | |
| 11 | SA2648001 | 1 | コードオサエ | CORD HOLDER | |
| 12 | 062060816 | 1 | ナベコ6X8 | SCREW PAN M6X8 | |
| 13 | SA2651001 | 1 | イトキリジク | DRIVING ROD | |
| 14 | 148546001 | 1 | プランジヤピン | PLUNGER PIN | |
| 15 | SA2652101 | 1 | イトキリジクイタ | DRIVING ROD PLATE, TR | |
| 16 | SA2860001 | 1 | ザガネ | WASHER | |
| 17 | SA6395001 | 1 | イトユルメレバーバネ | SPRING | |
| 18 | 062501016 | 1 | ナベコ5X10 | SCREW PAN M5X10 | |
| 19 | 116662003 | 1 | ザガネ | WASHER | |
| 20 | SA2655001 | 1 | ダンネジM4 | SHOULDER SCREW, M4 | |
| 21 | 062351216 | 1 | ナベコ35X12 | SCREW PAN M3.5X12 | |
| 22 | 021350106 | 1 | 1シュナット35 | NUT 1 M3.5 | |
| 23 | SA6392001 | 1 | イトユルメコロ | ROLLER | |
| 24 | SA6393001 | 1 | イトユルメコロジク | ROLLER SHAFT | |
| 25 | SA6394001 | 1 | イトユルメレバー | TENSION RELEASE LEVER | |
| 26 | 113431002 | 1 | ザガネ | WASHER, PLAIN | |
| 27 | 028050246 | 1 | バネザガネ2-5 | WASHER SPRING 2-5 | |
| 28 | 021500106 | 1 | 1シュナット5 | NUT 1 M5 | |
| 29 | SA2657001 | 1 | シユレバージクササエ | MAIN LEVER SUPPORT SHAFT | |
| 30 | SA2658001 | 1 | シユレバージク | MAIN LEVER SHAFT | |
| 31 | 012060636 | 2 | アナヒラ6X6 | SET SCREW SOCKET (FT) M6X6 | |
| 32 | SB1450001 | 1 | シユレバークミ | MAIN LEVER ASSY | |
| 33 | SB1452001 | 1 | コロジククミ | ROLLER SHAFT ASSY | |
| 34 | 105234003 | 1 | ナット4.37 | NUT SM4.37 | |
| 35 | 148559100 | 1 | ゴム | RUBBER | |
| 36 | S07509001 | 1 | シユレバーバネ | MAIN LEVER SPRING | |
| 37 | 048070342 | 1 | トメワE7 | RETAINING RING E7 | |
| 38 | 062061616 | 2 | ナベコ6X16 | SCREW PAN M6X16 | |
| 39 | SB4152001 | 1 | イトキリカム | THREAD TRIMMER CAM | |
| 40 | SA2378001 | 4 | カンザ4.8 | SPACER, 4.8 | |
| 41 | S25236001 | 4 | アナヒラ6X10ホソメ | SET SCREW SOCKET (FT) M6X10 | |
| 42 | SA2663001 | 1 | タマツギテRクミ | ROUND JOINT ASSY R | |
| 44 | SA2665001 | 1 | タマツギテLクミ | ROUND JOINT ASSY L | |
| 46 | SA2667001 | 1 | ナガサチヨウセツレンカン | L-ADJUSTING CONNECTING ROD | |
| 47 | 021060306 | 1 | 3シュナット6 | NUT 3 M6 | |
| 48 | SA2668001 | 1 | ナット6ヒダリ | NUT M6 LEFT | |
| 49 | SA2669001 | 2 | タマツギテダンネジ | SHOULDER SCREW M6 | |
| 50 | SA2672001 | 1 | イトキリレンカンR | T-TRIMMER CONNECTING ROD, R | |
| 51 | SA2673001 | 1 | イトキリレンカンL | T-TRIMMER CONNECTING ROD, L | |
| 52 | 017500812 | 2 | ボルト5X8 | BOLT M5X8 | |
| 53 | SB3849001 | 2 | ヒラザガネチュウ5 | WASHER_PLAIN_M_5 | |
| 54 | SA2645001 | 2 | ダンネジM5 | SHOULDER SCREW, M5 | |
| 55 | S07526301 | 2 | イドウハ | MOVABLE KNIFE | |
| 56 | 148536001 | 4 | シメネジ4.37 | SCREW, W/SOCKET SM4.37-40X4.2 | |
| 57 | S07527001 | 2 | コテイハ | FIXED KNIFE | |
| 58 | 148539101 | 2 | ダンネジ2.38 | SHOULDER SCREW SM2.38 | |
| 59 | SA8364001 | 1 | イトユルメレバークミ | TENSION RELEASE LEVER ASSY | |
| 61 | S38687000 | 1 | コネクタ5557-14R | CONNECTOR 5557-14R | |
| 62 | SB8436001 | 1 | ア-スセンAWG8 | GROUND WIRE AWG8 | |
| 63 | 062400816 | 1 | ナベコ4X8 | SCREW PAN M4X8 | |

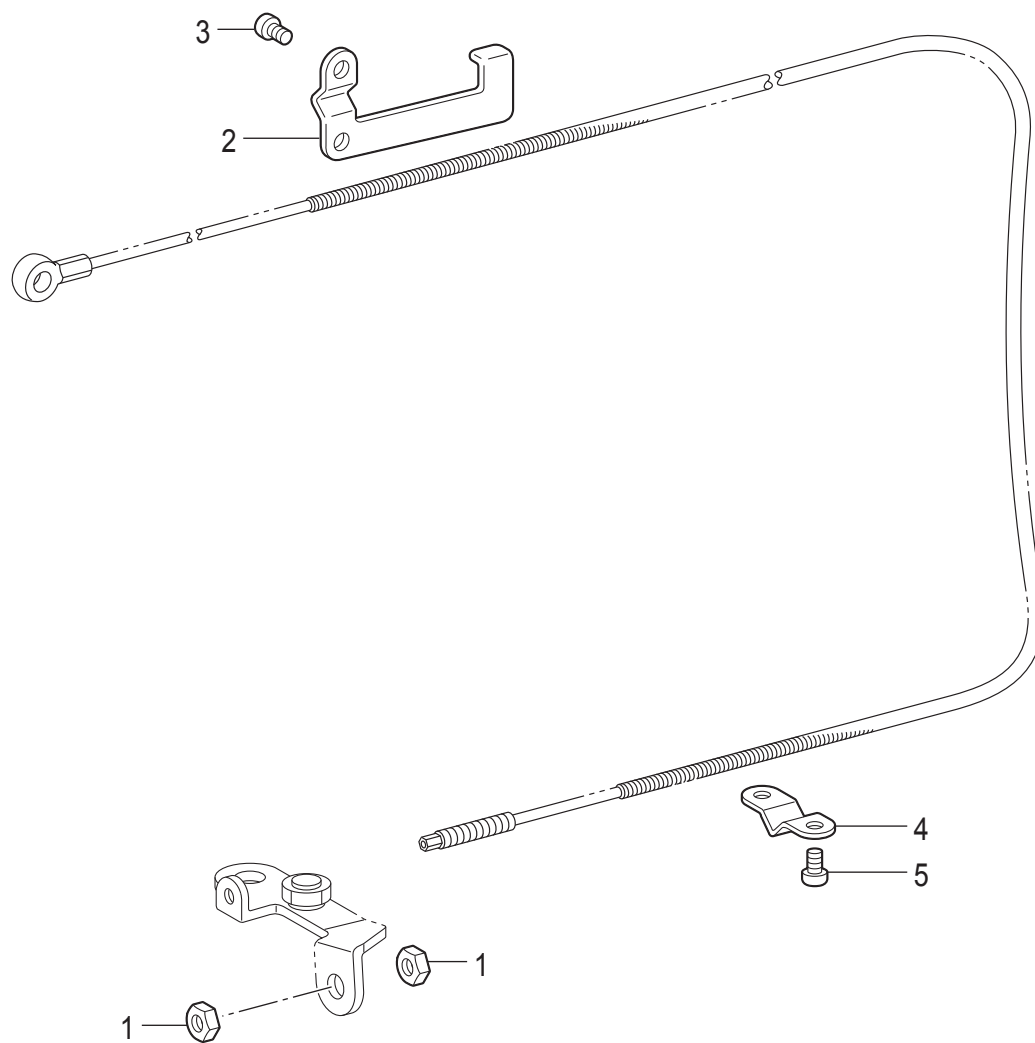
Q. 糸切り関係 / Thread trimmer mechanism



Q. 糸切り関係 / Thread trimmer mechanism

| REF.NO | CODE | Q'TY | 品名 | NAME OF PARTS | RM |
|--------|-----------|------|-----------|-------------------|----|
| 64 | SB4155001 | 2 | バンド | BAND | |
| 65 | 060400816 | 2 | バインド4X8 | SCREW BIND M4X8 | |
| 66 | 028040246 | 2 | バネザガネ2-4 | WASHER SPRING 2-4 | |
| 67 | SB3848001 | 2 | ヒラザガネチュウ4 | WASHER_PLAIN_M_4 | |

R. 糸緩め関係 / Tension release mechanism

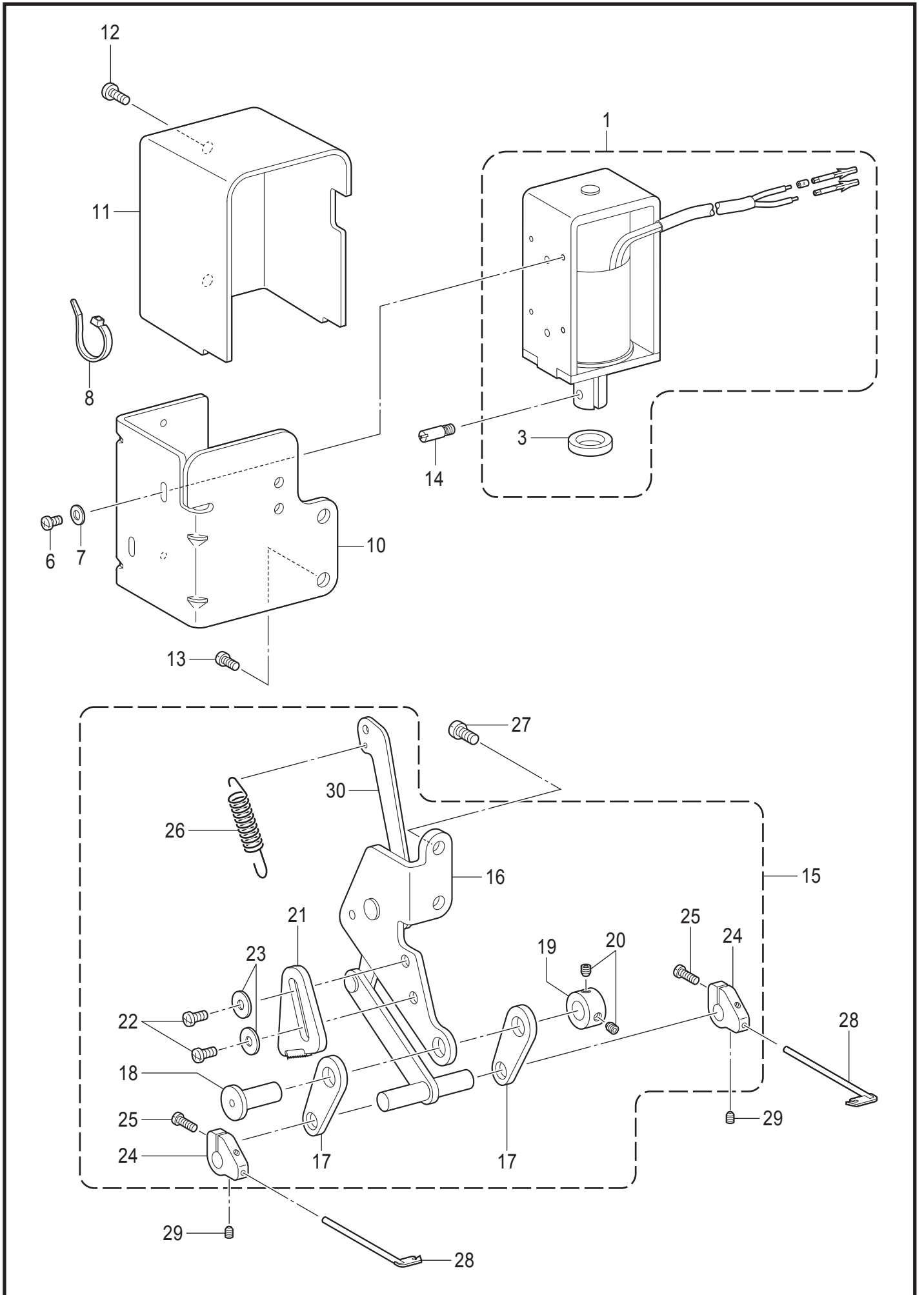


T-8452D-404

R. 糸緩め関係 / Tension release mechanism

| REF.NO | CODE | Q'TY | 品名 | NAME OF PARTS | RM |
|--------|-----------|------|--------------|-----------------------------|----|
| 1 | 110161004 | 2 | ナツト4.76 | NUT SM4.76 | |
| 2 | SA2678001 | 1 | イトユルメワイヤ-オサエ | TENSION RELEASE WIRE HOLDER | |
| 3 | 062500816 | 2 | ナベコ5X8 | SCREW PAN M5X8 | |
| 4 | SA2679001 | 1 | イトユルメワイヤ-オサエ | TENSION RELEASE WIRE HOLDER | |
| 5 | 062060816 | 2 | ナベコ6X8 | SCREW PAN M6X8 | |

S. 糸払い関係 / Thread wiper mechanism



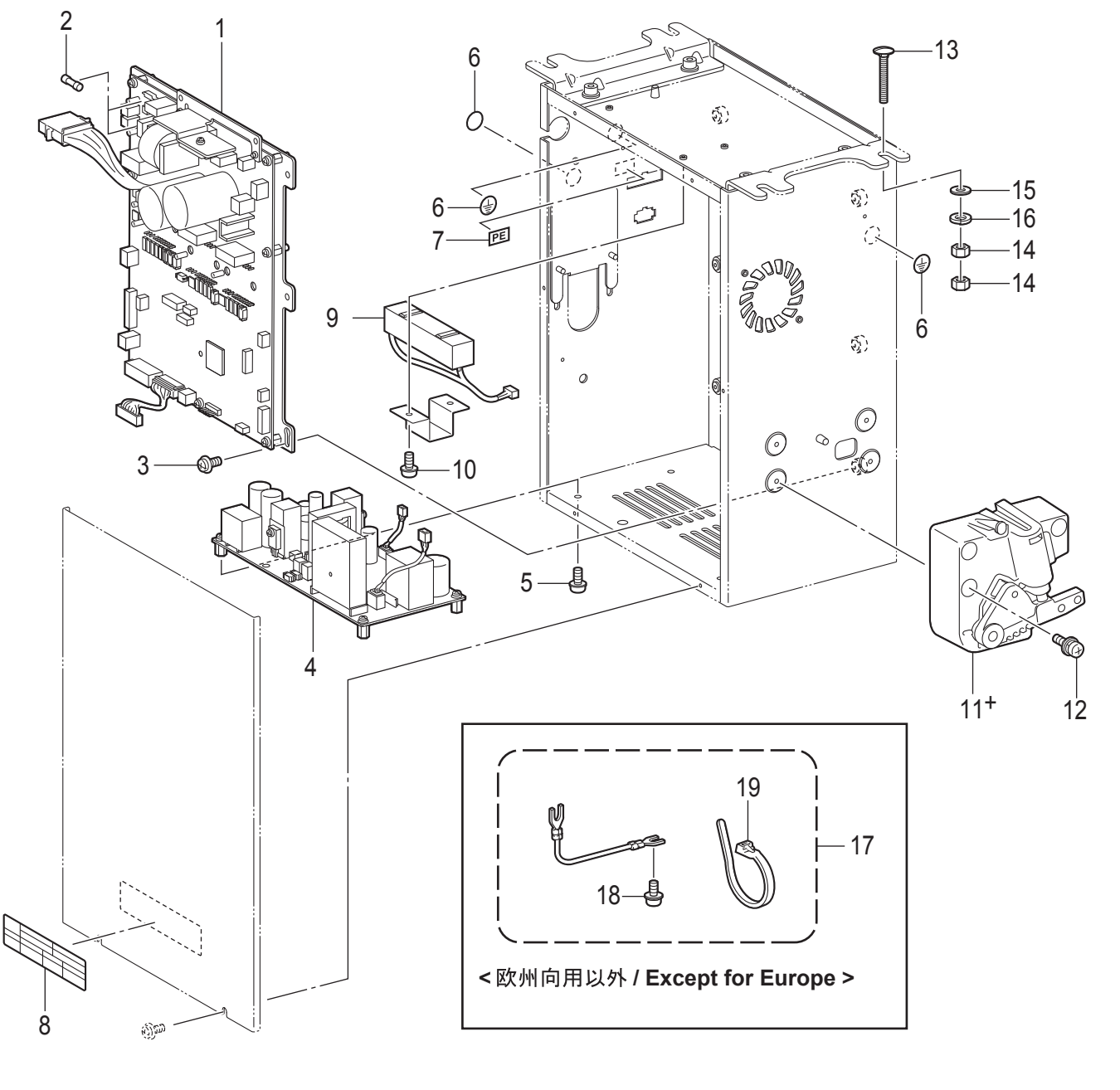
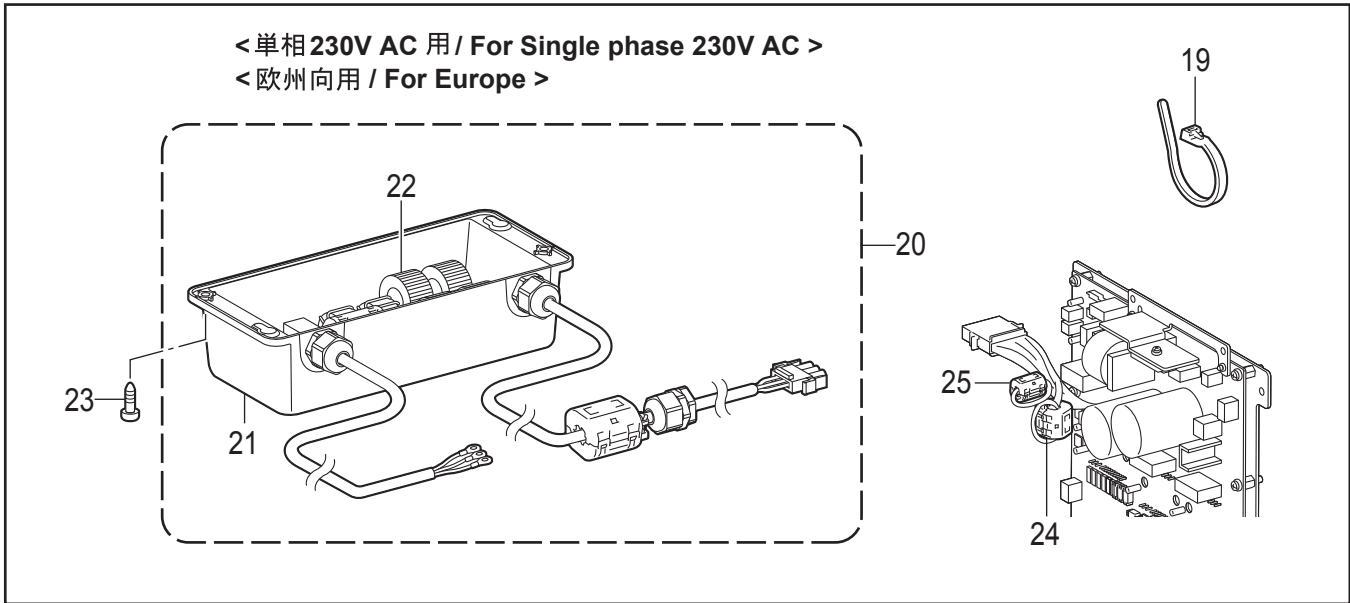
T-8452D-405

S. 糸払い関係 / Thread wiper mechanism

| REF.NO | CODE | Q'TY | 品名 | NAME OF PARTS | RM |
|--------|-----------|------|--------------|------------------------------|----|
| 1 | SB9910001 | 1 | イトハライソレノイドクミ | THREAD WIPER SOLENOID ASSY | |
| 3 | SA7235001 | 1 | ソレノイドクツシヨソ | CUSHION SOLENOID | |
| 6 | 062300616 | 2 | ナベコ3X6 | SCREW PAN M3X6 | |
| 7 | 026030233 | 2 | ヒラザガネミガキ3 | WASHER PLAIN M 3 | |
| 8 | SB4155001 | 1 | バンド | BAND | |
| 10 | SB4105001 | 1 | ソレノイドホジイタ | SOLENOID HOLDING PLATE | |
| 11 | SB4104001 | 1 | ソレノイドカバー | SOLENOID COVER | |
| 12 | 060400516 | 2 | バインド4X5 | SCREW BIND M4X5 | |
| 13 | 062501016 | 2 | ナベコ5X10 | SCREW PAN M5X10 | |
| 14 | S25456001 | 1 | プランジヤピン | PLUNGER PIN | |
| 15 | SB4333101 | 1 | イトハライリンククミ | THREAD WIPER LINK ASSY | |
| 16 | SB4213101 | 1 | イトハライリンクササエ | THREAD WIPER LINK SUPPORT | |
| 17 | SB7015001 | 1 | イトハライリンクCクミ | THREAD WIPER LINK C ASSY | |
| 18 | S07550001 | 1 | リンクジク | LINK STUD | |
| 19 | SA2504001 | 1 | セットカラ- | SET SCREW COLLAR | |
| 20 | 012500536 | 2 | アナヒラ5X5 | SET SCREW SOCKET (FT) M5X5 | |
| 21 | SB4210001 | 1 | ストツパ | STOPPER | |
| 22 | 062500816 | 2 | ナベコ5X8 | SCREW PAN M5X8 | |
| 23 | SB3849001 | 2 | ヒラザガネチュウ5 | WASHER_PLAIN_M_5 | |
| 24 | S07552101 | 2 | イトハライウケ | THREAD WIPER SUPPORT | |
| 25 | 062661212 | 2 | ナベコ318-40X12 | SCREW PAN SM3.18-40X12 | |
| 26 | SA2684001 | 1 | イトハライバネ | THREAD WIPER SPRING | |
| 27 | 062501016 | 2 | ナベコ5X10 | SCREW PAN M5X10 | |
| 28 | SB4124001 | 2 | イトハライ | THREAD WIPER | |
| 29 | S07424001 | 2 | トメネジ3.18 | SET SCREW, W/SOCKET SM3.18X4 | |
| 30 | SB4211101 | 1 | ソレノイドリンク | SOLENOID LINK | |

T1. コントロールボックス 関係 / Control box

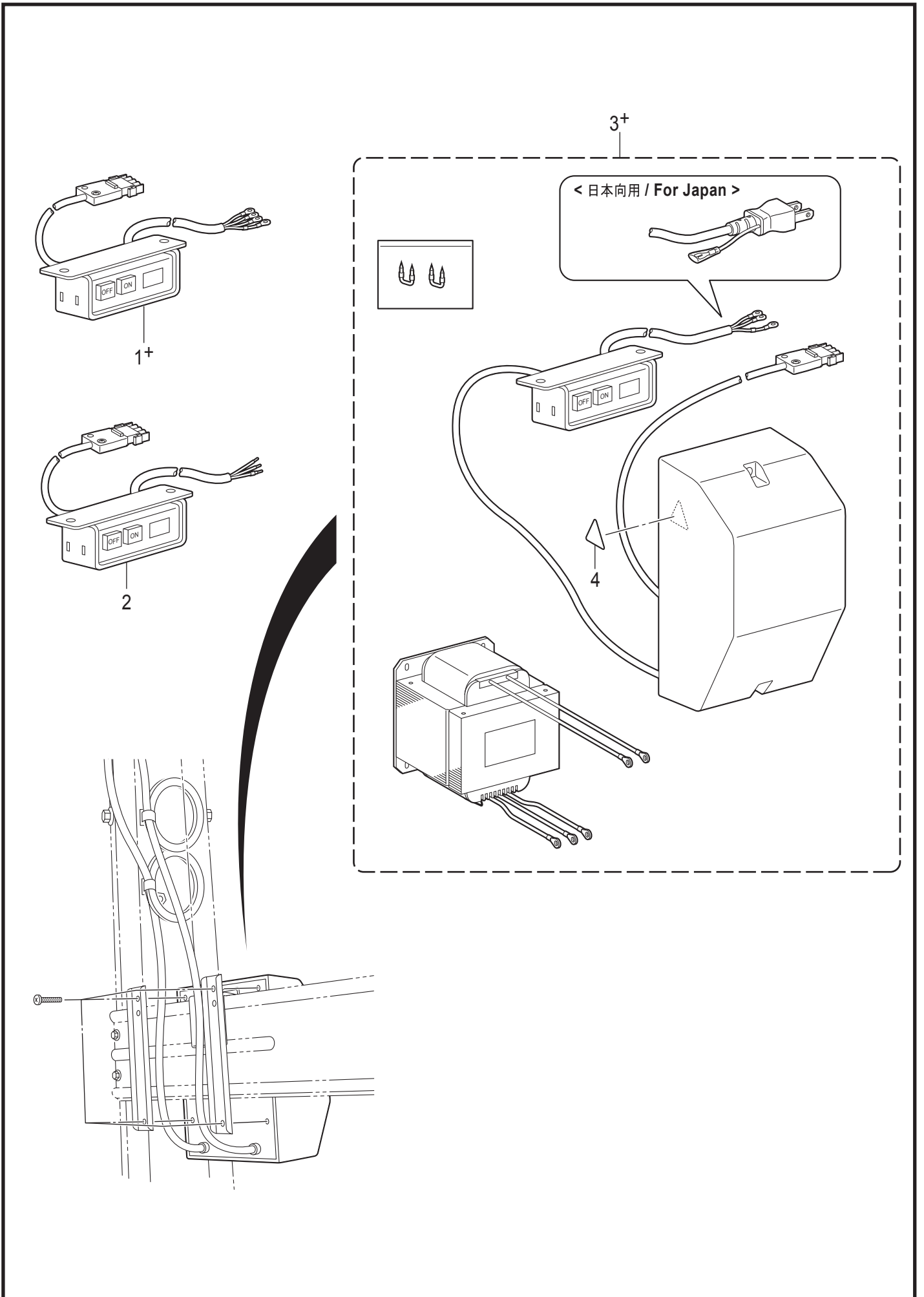
< 単相 230V AC 用 / For Single phase 230V AC >
 < 欧州向用 / For Europe >



T1. コントロールボックス関係 / Control box

| REF.NO | CODE | Q'TY | 品名 | NAME OF PARTS | RM |
|--------|-----------|------|--|--|----|
| 1 | SC0068001 | 1 | メインキバンクミ84D | MAIN PCB ASSY 84D | |
| 2 | SB3275001 | 2 | GFUSE10A | GLASS FUSE 10A-50T100H | |
| 3 | 0A4400806 | 7 | +ナベザクミ4X8DA | SCREW PAN (S/P WASHER) M4X8 | |
| 4 | SC0069001 | 1 | デンゲンキバンクミ84D | POWER PCB ASSY 84D | |
| 5 | 0A5400806 | 4 | +ナベザクミ4X8DB | SCREW PAN (S/P WASHER) M4X8 | |
| 6 | S37060001 | 3 | ア-スマーク | LABEL GROUNDING | |
| 7 | S37059001 | 1 | PEマーク | LABEL, PE | |
| 8 | SB8096001 | 1 | ラベルカンデン6カコク | LABEL ELECTRICAL SHOCK 36X150 | |
| 9 | J04100001 | 1 | セメントR40/220クミ#6 | CEMENT RESISTOR ASSY 401220#6 | |
| 10 | 0A5400806 | 2 | +ナベザクミ4X8DB | SCREW PAN (S/P WASHER) M4X8 | |
| 11+ | SB4587301 | 1 | フミコミュニット-US <米州、欧州向用> | TREADLE UNIT-US <For the Americas and Europe> | |
| 11+ | SB3817401 | 1 | フミコミュニット-EX <日本向用> <アジア・一般・中国向用> | TREADLE UNIT-EX <For Japan> <For Asia, General and China> | |
| 12 | J00353001 | 4 | +ナベセット5X14DB | SCREW PAN (S/P WASHER) M5X14 | |
| 13 | SA9893001 | 4 | カクネボルト8X65 | BOLT M8X65 | |
| 14 | 021080206 | 8 | 2シュナット8 | NUT 2 M8 | |
| 15 | 025080336 | 4 | ヒラザガネダイ8 | WASHER PLAIN L 8 | |
| 16 | 028080246 | 4 | バネザガネ2-8 | WASHER SPRING 2-8 | |
| 17 | SC0298001 | 1 | <欧州向用以外> ア-スコードネジタイクミ | <Except for Europe> EARTH CORD SCREW TIE ASSY | |
| 18 | 0A4400806 | 1 | +ナベザクミ4X8DA | SCREW PAN (S/P WASHER) M4X8 | |
| 19 | J02825001 | 1 | リピ-トタイRF140 <単相 230V AC用> <欧州向用> | REPEATE CABLE TIE, RF140 <For single phase 230V AC> <For Europe> | |
| 20 | SC0296001 | 1 | CEフィルタクミTYPE8 | CE FILTER UNIT TYPE8 | |
| 21 | SB7074001 | 1 | CEフィルターケース | CE FILTER CASE | |
| 22 | SB7065001 | 1 | CEフィルタキバンクミ | CE FILTER PCB ASSY TYPE3 | |
| 23 | S03816001 | 4 | +マルモク45X16 | WOOD SCREW M4.5X16 | |
| 24 | SC0185001 | 1 | コアGRFC-13 | FERRITE CORE GRFC-13 | |
| 25 | LNA409001 | 1 | コアGRFC-6 | FERRITE CORE GRFC-6 | |

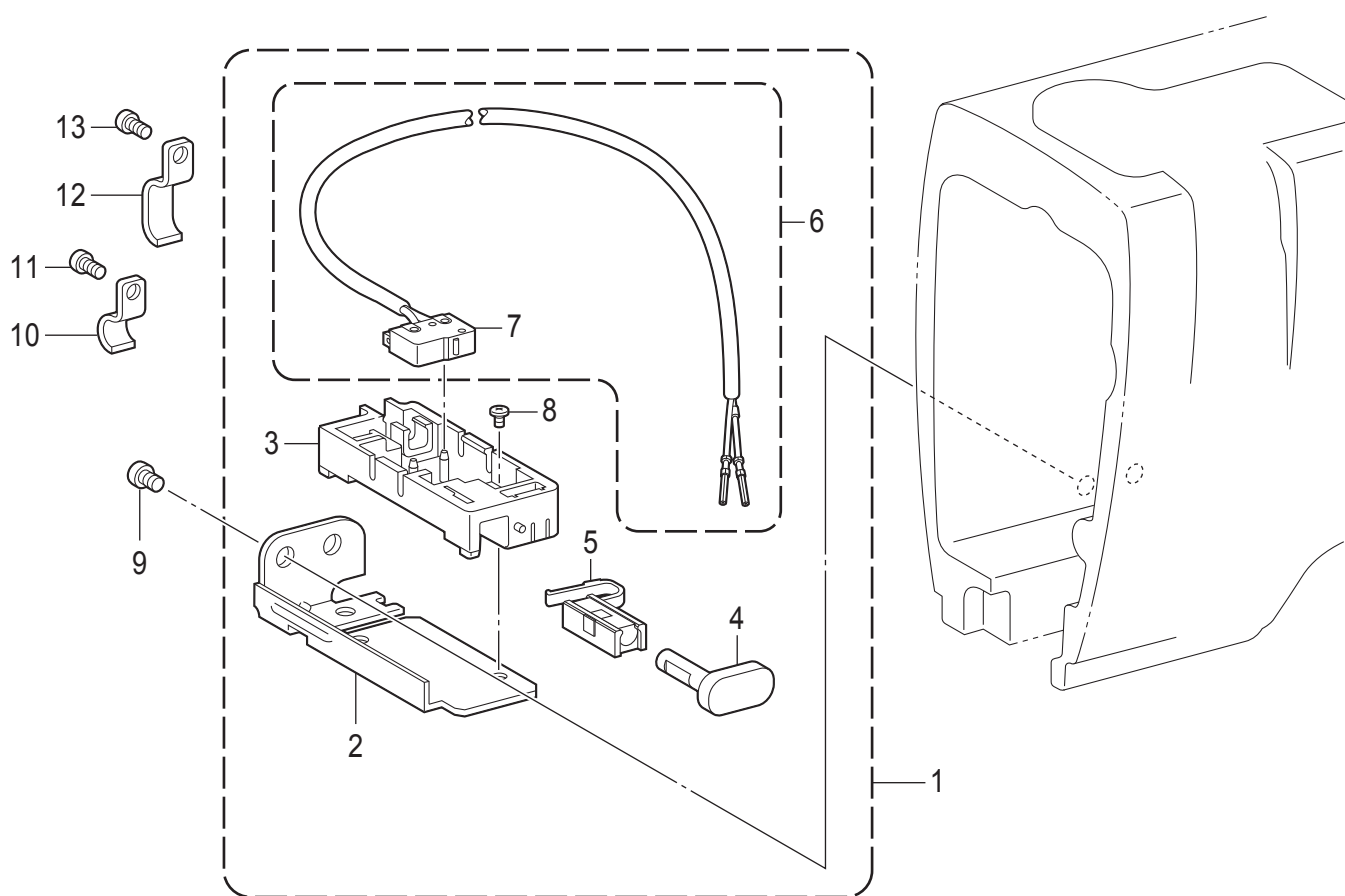
T2. コントロールボックス関係 / Control box



T2. コントロールボックス関係 / Control box

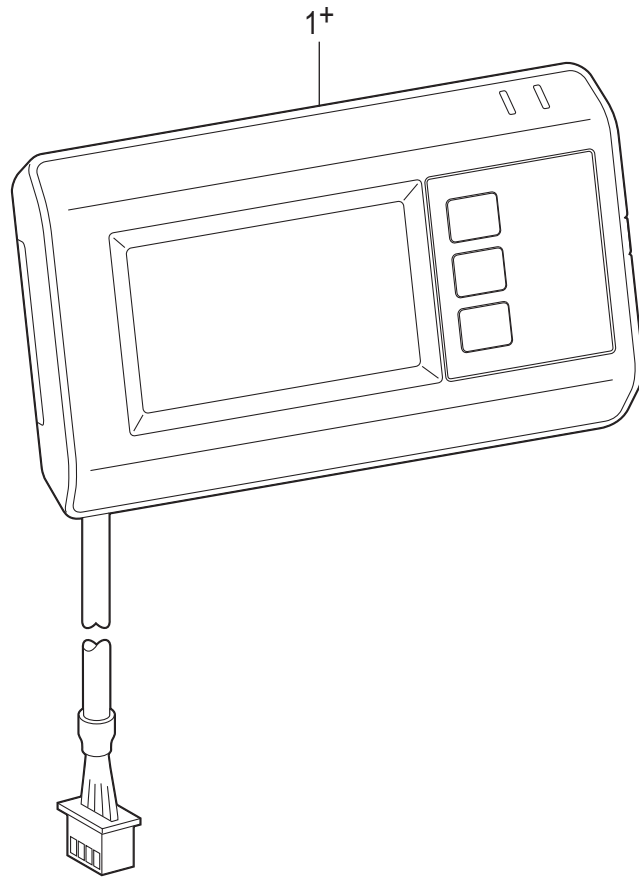
| REF.NO | CODE | Q'TY | 品名 | NAME OF PARTS | RM |
|--------|----------------------|------|--|---|----|
| 1+ | SA9616001 | 1 | <三相 200V AC 用> <日本向用> デンSW クミ SJT | <For Three phase 200V AC> <For Japan> POWER SWITCH ASSY SJT | |
| 1+ | SA9831001 | 1 | <三相 220V AC 用> <北米・メキシコ向用> デンSW クミ SJT#2 | <For Three phase 220V AC> <For USA, Canada and Mexico> POWER SWITCH ASSY SJT#2 | |
| 2 | SA9535001 | 1 | <単相 220V AC用> <アジア・一般・中国向用> デンSWクミCCC | <For Single phase 220V AC> <For Asia, General and China> POWER SUPPLY SWITCH ASSY CCC | |
| 3+ | BMP3010-1000000-2ST1 | 1 | <単相 100V用> <北米・メキシコ向用> トランスボックス | <For Single phase 100V> <For USA, Canada and Mexico> TRANSFORMER BOX | |
| 3+ | BMP3010-1000000-AST1 | 1 | <日本向用> トランスボックス | <For Japan> TRANSFORMER BOX | |
| 4 | SA9914001 | 1 | ラベルカンデン25X28 | LABEL ELECTRICAL SHOCK 25X28 | |

U. 逆転スイッチ関係 / Quick reverse switch mechanism



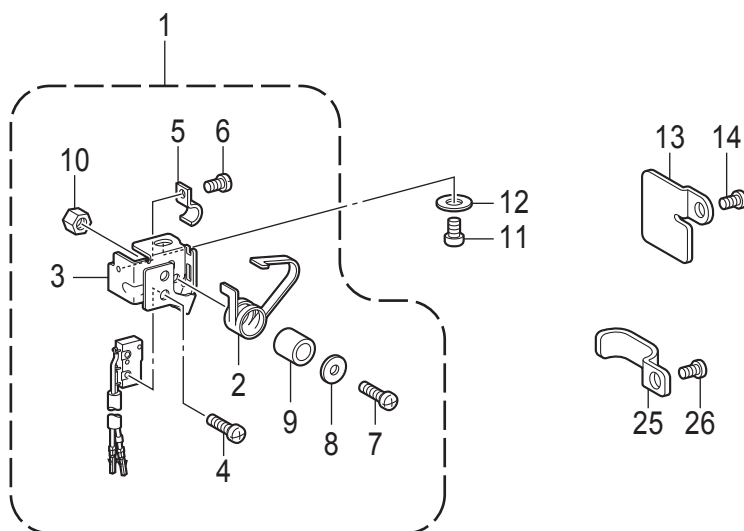
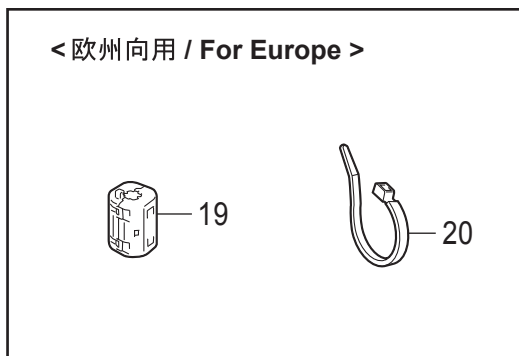
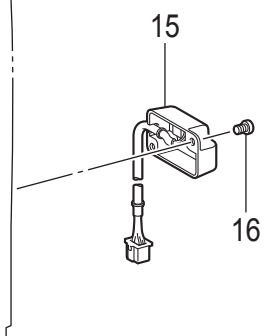
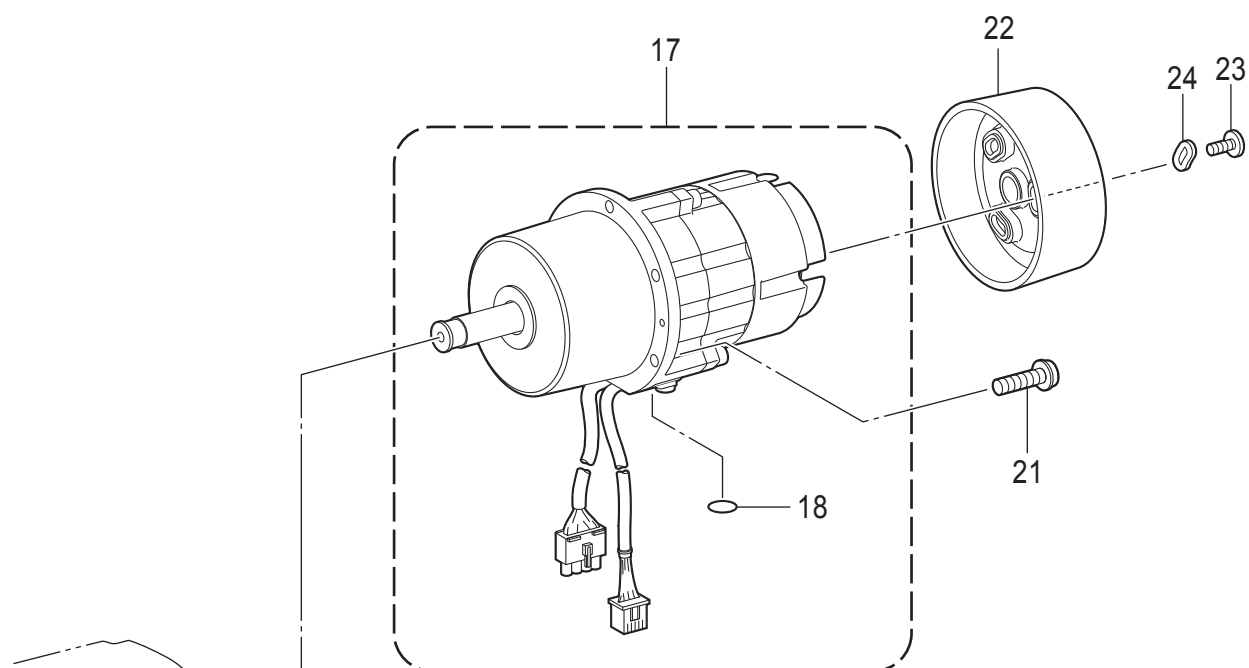
U. 逆転スイッチ関係 / Quick reverse switch mechanism

| REF.NO | CODE | Q'TY | 品名 | NAME OF PARTS | RM |
|--------|-----------|------|-------------|------------------------|----|
| 1 | SB9882001 | 1 | Rアクチュエータークミ | REVERSE ACTUATOR ASSY | |
| 2 | SA2270001 | 1 | Rスイッチササエ | REVERSE SWITCH BRACKET | |
| 3 | SA7295001 | 1 | Rスイッチダイ | REVERSE SWITCH BRACKET | |
| 4 | SB4123001 | 1 | アクチュエーター | ACTUATOR | |
| 5 | SA4099001 | 1 | Rスイッチバネ | REVERSE SWITCH SPRING | |
| 6 | SB9883001 | 1 | Rスイッチクミ | R-SWITCH ASSY | |
| 7 | S32907050 | 1 | マイクロスイッチ | MICRO SWITCH | |
| 8 | 060300606 | 1 | バインド3X6 | SCREW BIND M3X6 | |
| 9 | 062500616 | 2 | ナベコ5X6 | SCREW PAN M5X6 | |
| 10 | SA2689101 | 1 | コードオサエ | CORD HOLDER | |
| 11 | 062500616 | 1 | ナベコ5X6 | SCREW PAN M5X6 | |
| 12 | SA1388101 | 3 | コードオサエ | CORD HOLDER | |
| 13 | 062500616 | 1 | ナベコ5X6 | SCREW PAN M5X6 | |



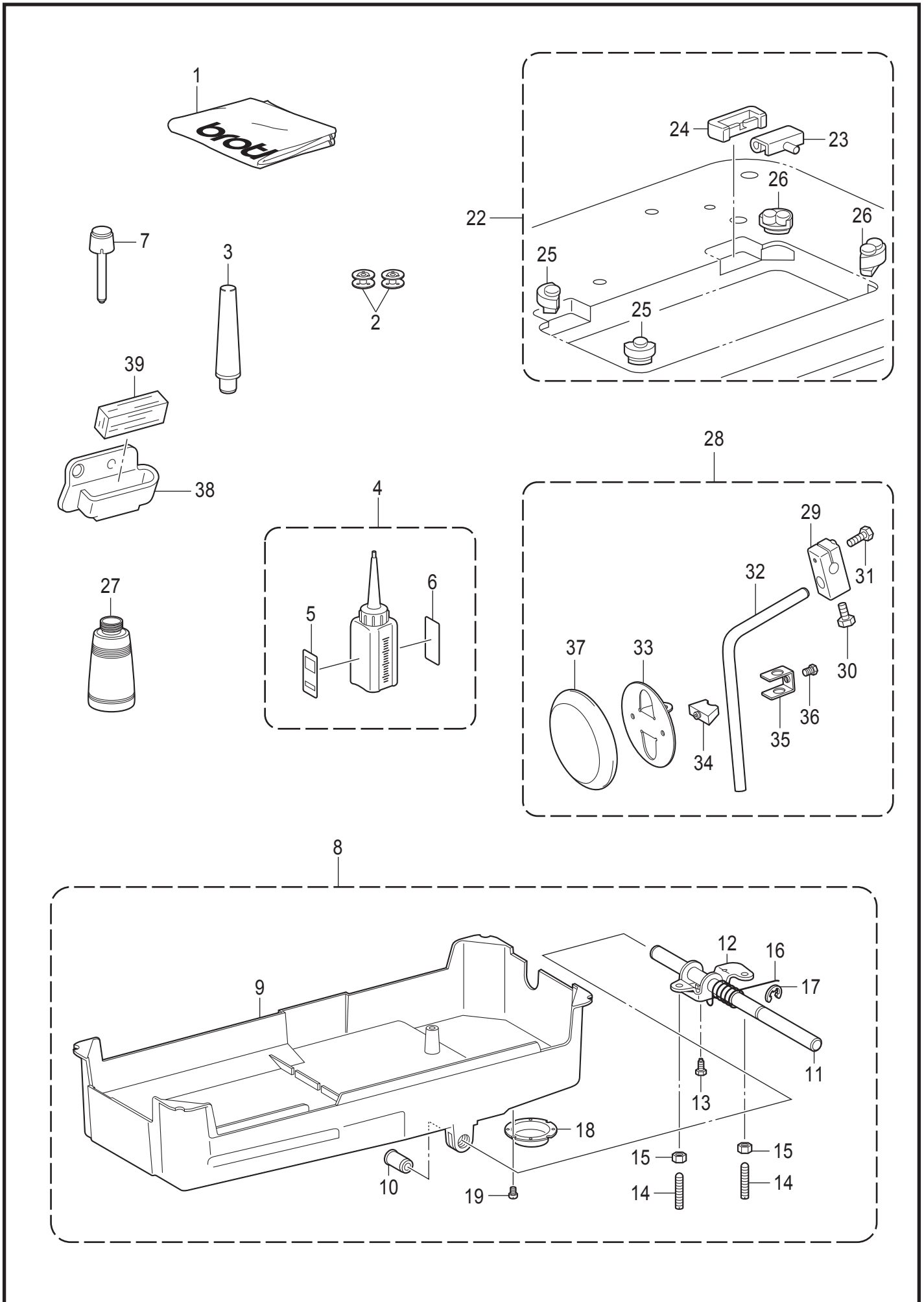
V. 操作パネル関係 / Operation panel

| REF.NO | CODE | Q'TY | 品名 | NAME OF PARTS | RM |
|--------|-----------|------|------------------------|---|----|
| 1+ | SC0066001 | 1 | <輸出一般向用> ソウサパネルクミ | <For General export> OPERATION PANEL ASSY | |
| 1+ | SC0066002 | 1 | <輸出一般向用以外> ソウサパネルクミ | <Except for General export> OPERATION PANEL ASSY | |



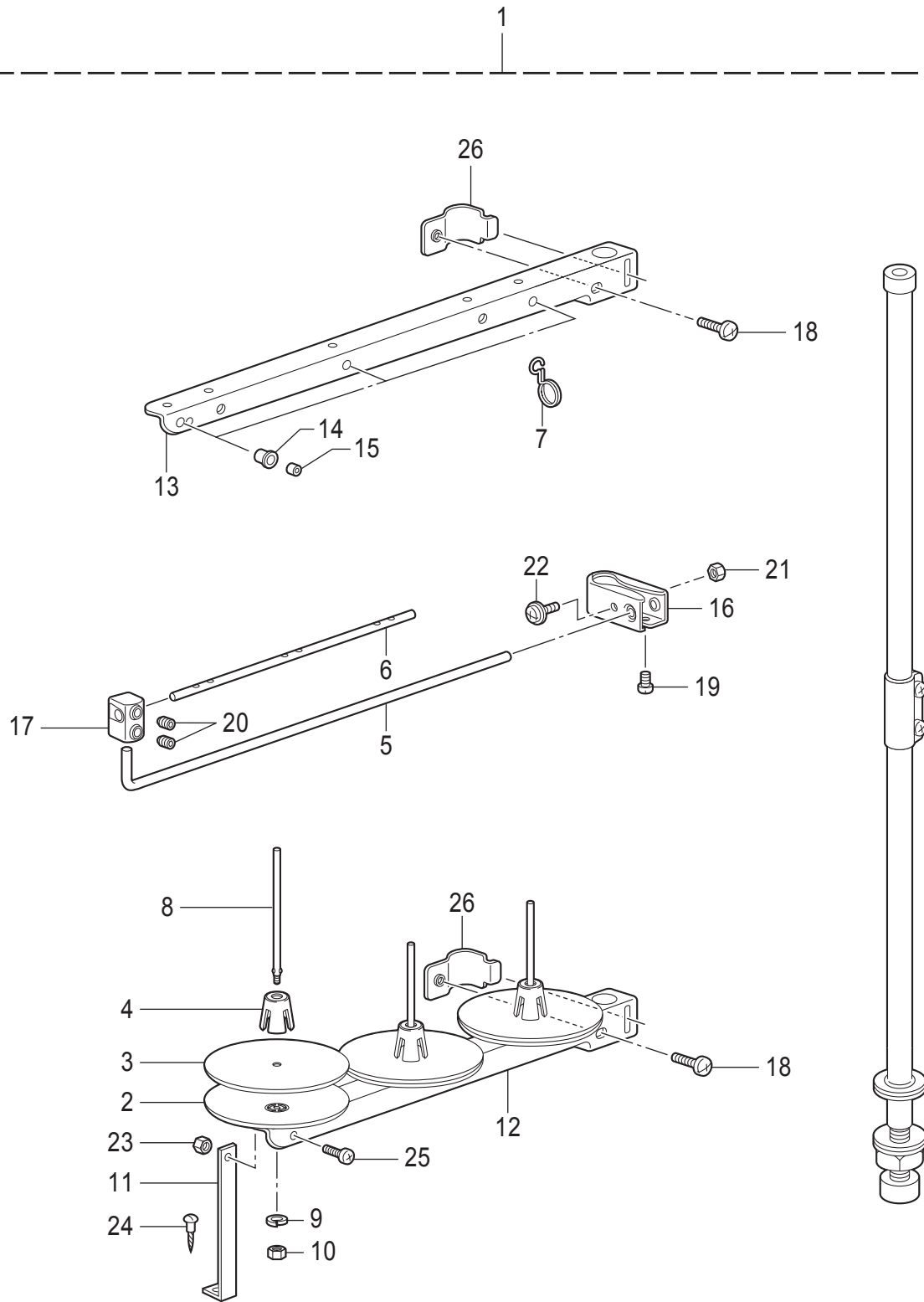
Y. 電装品・モーター関係 / Power supply equipment and motor mechanism

| REF.NO | CODE | Q'TY | 品名 | NAME OF PARTS | RM |
|--------|-----------|------|---------------|------------------------------|----|
| 1 | SB9920001 | 1 | セーフティスイッチクミ | SAFETY SWITCH ASSY | |
| 2 | S38744101 | 1 | スイッチイタバネ | SWITCH PLATE SPRING | |
| 3 | SA2686001 | 1 | スイッチダイ | SWITCH BASE | |
| 4 | 062020806 | 2 | ナベコ2X8 | SCREW PAN M2X8 | |
| 5 | 140647101 | 1 | コードオサエ | CORD HOLDER | |
| 6 | 062400616 | 1 | ナベコ4X6 | SCREW PAN M4X6 | |
| 7 | 062401216 | 1 | ナベコ4X12 | SCREW PAN M4X12 | |
| 8 | 026040236 | 1 | ヒラザガネミガキ4 | WASHER PLAIN M 4 | |
| 9 | 154514001 | 1 | スペーサー | SPACER | |
| 10 | 021400106 | 1 | 1シュナット4 | NUT 1 M4 | |
| 11 | 062060812 | 1 | ナベコ6X8 | SCREW PAN M6X8 | |
| 12 | 025060136 | 1 | ヒラザガネシヨウ6 | WASHER PLAIN S 6 | |
| 13 | SA2712001 | 1 | コードオサエ | CORD HOLDER | |
| 14 | 062500816 | 1 | ナベコ5X8 | SCREW PAN M5X8 | |
| 15 | SB9926101 | 1 | ケンシュツホキユウT-8D | H-DETECTOR SUPPLY T-8D | |
| 16 | 0A4501206 | 2 | +ナベザクミ5X12DA | SCREW PAN (S/P WASHER) M5X12 | |
| 17 | SB9775001 | 1 | モータクミ 8400 | MOTOR ASSY 8400 | |
| 18 | S37060001 | 1 | アースマーク | LABEL GROUNDING | |
| | | | <欧州向用> | <For Europe> | |
| 19 | SB8396001 | 1 | フェライトKRFC-8 | FERRITE CORE KRFC-8 | |
| 20 | SB4155001 | 1 | バンド | BAND | |
| 21 | SA2354001 | 5 | +ナベセットネジ5X18 | SCREW PAN M5X18 | |
| 22 | SB8940102 | 1 | プーリ | PULLEY | |
| 23 | 060501016 | 3 | バインド5X10 | SCREW BIND M5X10 | |
| 24 | SA9452001 | 3 | プーリワッシャー | PULLEY WASHER | |
| 25 | SA2687001 | 1 | コードオサエ | CORD HOLDER | |
| 26 | 062500816 | 1 | ナベコ5X8 | SCREW PAN M5X8 | |



Z1. 付属品関係 / Accessories



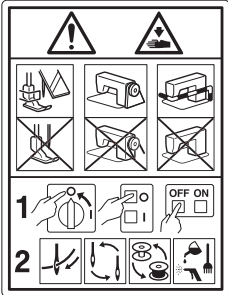




| REF.NO | CODE | Q'TY | 品名 | NAME OF PARTS | RM |
|--------|-----------|------|-----------------|---------------------------|----|
| 1 | 144226001 | 1 | トウブカバー | HEAD COVER | |
| 2 | S01928151 | 2 | ボビン | BOBBIN | |
| 3 | 100477009 | 1 | マクラ | HEAD REST | |
| 4 | SA8239301 | 1 | オイルタンククミ | OIL TANK ASSY | |
| 5 | SB1271101 | 1 | オイルケイコクラベル ワブン | OIL WARNING LABEL JP | |
| 6 | SB1270001 | 1 | オイルケイコクラベル エイブン | OIL WARNING LABEL EN | |
| 7 | 145573000 | 1 | ヒザアゲオシボウ | KNEE LIFTER COMPLYING BAR | |
| 8 | SA2691101 | 1 | アブラウケクミ | OIL PAN ASSY | |
| 9 | SA2692101 | 1 | アブラウケ | OIL PAN | |
| 10 | 149578000 | 2 | ヨコジクブツシュ | BUSH | |
| 11 | SA2582001 | 1 | ヒザアゲヨコジク | KNEE LIFTER SHAFT | |
| 12 | SA2590001 | 1 | ヒザアゲ | KNEE LIFTER | |
| 13 | S25344001 | 1 | ボルト6 | BOLT M6 | |
| 14 | SB0687001 | 2 | トメネジ6 | SET SCREW M6X24 | |
| 15 | 021060306 | 2 | 3シュナット6 | NUT 3 M6 | |
| 16 | S15889001 | 1 | ヒザアゲネジリバネ | TWIST SPRING | |
| 17 | 146293001 | 1 | トメワE10 | RETAINING RING E10 | |
| 18 | 153230101 | 1 | オイルニガシグチ | DRAIN | |
| 19 | S23418002 | 2 | シメネジ4X5 | SCREW M4X5 | |
| 22 | SC0031001 | 1 | ラバーヒンジクミ | RUBBER HINGE ASSY | |
| 23 | SB3627001 | 2 | トウブヒンジ | HEAD HINGE | |
| 24 | SB3628001 | 2 | トウブヒンジウケゴム | RUBBER CUSHION | |
| 25 | SA1962001 | 2 | トウブシキゴム | HEAD CUSHION | |
| 26 | SA1963001 | 2 | トウブシキゴム | HEAD CUSHION | |
| 27 | 114486002 | 1 | ポリオイラータイ | OILER | |
| 28 | SB3854101 | 1 | ヒザアテクミ | KNEE LIFTER ASSY | |
| 29 | SB1603001 | 1 | ヒザアテツギテ | KNEE LIFTER BRACKET | |
| 30 | SB1604001 | 1 | ボルト6X15 | BOLT 6X15 | |
| 31 | SB1605001 | 1 | ボルト6X24 | BOLT 6X24 | |
| 32 | SB3480001 | 1 | ヒザアゲタテジク | KNEE LIFTER BAR | |
| 33 | SB1607001 | 1 | ヒザアテ | KNEE LIFTER PLATE | |
| 34 | SB1608001 | 1 | ヒザアテササエ | KNEE LIFTER SUPPORT | |
| 35 | SB1609001 | 1 | ヒザアテストップ | KNEE LIFTER PLATE STOPPER | |
| 36 | SB1610001 | 1 | ボルト6X12 | BOLT 6X12 | |
| 37 | SB1611001 | 1 | ヒザアテカバー | KNEE LIFTER PLATE COVER | |
| | | | <-403用> | <For -403> | |
| 38 | SA2639001 | 1 | ア-ムイトアンナイD | THREAD GUIDE, D: ARM | |
| 39 | 114941001 | 1 | ア-ムイトアンナイフェルト | FELT | |



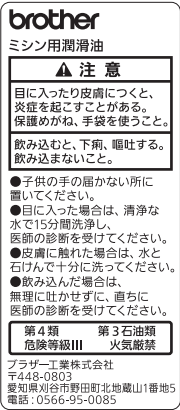
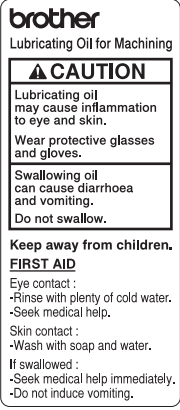
Z2. 付属品関係 / Accessories

| REF.NO | CODE | Q'TY | 品名 | NAME OF PARTS | RM |
|--------|-----------|------|----------------|------------------------------|----|
| 1 | S07558509 | 1 | イトタテダイクミ3DRTHF | COTTON STAND ASSY 3DRTHF | |
| 2 | S51283001 | 3 | ウケザラ | SPOOL STAND BASE | |
| 3 | SB4114001 | 3 | スプ-ルマット | SPOOL MAT | |
| 4 | S51282101 | 3 | スプ-ルクツシヨン | SPOOL CUSHION | |
| 5 | S04109001 | 1 | イトアンナイササエボウ | THREAD GUIDE SUPPORT BAR | |
| 6 | 142997001 | 1 | イトアンナイ3 | THREAD GUIDE, 3 | |
| 7 | S02747101 | 1 | イトカケバネ | SPRING | |
| 8 | 150179002 | 3 | スプ-ルジクB | SPOOL SHAFT B | |
| 9 | SB4117001 | 3 | バネザガネ2-5 | WASHER SPRING 2-5 | |
| 10 | SB4119001 | 3 | 2シュナツト5 | NUT 2 M5 | |
| 11 | 150188009 | 1 | スプ-ルホルダ-ササエA | SPOOL HOLDER SUPPORT A | |
| 12 | SA6610001 | 1 | スプ-ルホルダ-3 | SPOOL HOLDER 3 | |
| 13 | SA6610001 | 1 | スプ-ルホルダ-3 | SPOOL HOLDER 3 | |
| 14 | 150183000 | 3 | イトカケハンガ-ダイ | THREAD HANGER BASE | |
| 15 | 142990001 | 3 | スレツドブツシユ | THREAD BUSH | |
| 16 | SA6615001 | 1 | イトアンナイホルダ- | THREAD GUIDE HOLDER | |
| 17 | 138843201 | 1 | ササエボウツギテ | JOINT | |
| 18 | 062061603 | 2 | ナベコ6X16 | SCREW PAN M6X16 | |
| 19 | 062061003 | 1 | ナベコ6X10 | SCREW PAN M6X10 | |
| 20 | 014060632 | 2 | アナクボミ6X6 | SET SCREW SOCKET (CP) M6X6 | |
| 21 | SB4119001 | 1 | 2シュナツト5 | NUT, 2 M5 | |
| 22 | S37037001 | 1 | ナベコヒラザ5X32 | SCREW PAN (S/P WASHER) M5X32 | |
| 23 | SB4119001 | 1 | 2シュナツト5 | NUT, 2 M5 | |
| 24 | 032461606 | 1 | +2マルモク45X16 | WOOD SCREW ROUND 2 M4.5X16 | |
| 25 | 062501003 | 1 | ナベコ5X10 | SCREW PAN M5X10 | |
| 26 | SA6609001 | 2 | スプ-ルホルダ-ササエ | SPOOL HOLDER SUPPORTER | |

Wa. 警告ラベル / Warning labels

| 警告ラベル / Warning labels | 品名 / Name of parts | Size(mm) | Code |
|---|---|-------------------|-------------------|
|  | <p>ラベル感電6ヶ国 Label electrical shock 36 X 150</p> | <p>36 X 150</p> | <p>SB8096-001</p> |
|  | <p>ラベル感電 25 X 28 Label electrical shock 25 X 28</p> | <p>L=28.4</p> | <p>SA9914-001</p> |
|  | <p>操作注意ラベル Label caution</p> | <p>56 X 43</p> | <p>SA9826-001</p> |
|  | <p>ワーニングマーク Injury mark</p> | <p>L=16</p> | <p>SA9957-001</p> |
|  | <p>ワーニングマーク Injury mark</p> | <p>L=25</p> | <p>SA9957-002</p> |
|  | <p>アースマーク Label grounding</p> | <p>φ 12</p> | <p>S37060-001</p> |
|  | <p>PE マーク Label, PE</p> | <p>7.5 X 12.5</p> | <p>S37059-001</p> |

Wa. 警告ラベル / Warning labels

| 警告ラベル / Warning labels | 品名 / Name of parts | Size(mm) | Code |
|---|--|----------------|-------------------|
|  <p>brother マシン用潤滑油</p> <p>▲ 注意</p> <p>目に入ったり皮膚につくと、炎症を起こすことがある。保護めがね、手袋を使うこと。</p> <p>飲み込むと、下痢、嘔吐する。飲み込まないこと。</p> <p>●子供の手の届かない所に置いてください。 ●目に入った場合は、清潔な水で15分間洗浄し、医師の診断を受けてください。 ●皮膚に触れた場合は、水と石けんで十分に洗ってください。 ●飲み込んだ場合は、無理に吐かせず、直ちに医師の診断を受けてください。</p> <p>第4類 第3石油類 危険等級III 火気厳禁</p> <p>ブラザー工業株式会社 〒448-0803 愛知県刈谷市野田町北地蔵山1番地5 電話：0566-95-0085</p> | <p>オイル警告ラベル和文 Oil warning label JP</p> | <p>68 X 30</p> | <p>SB1271-101</p> |
|  <p>brother Lubricating Oil for Machining</p> <p>▲ CAUTION</p> <p>Lubricating oil may cause inflammation to eye and skin. Wear protective glasses and gloves.</p> <p>Swallowing oil can cause diarrhoea and vomiting. Do not swallow.</p> <p>Keep away from children.</p> <p>FIRST AID</p> <p>Eye contact : -Rinse with plenty of cold water. -Seek medical help.</p> <p>Skin contact : -Wash with soap and water.</p> <p>If swallowed : -Seek medical help immediately. -Do not induce vomiting.</p> | <p>オイル警告ラベル英文 Oil warning label EN</p> | <p>68 X 30</p> | <p>SB1270-001</p> |

Sp. 仕様別部品一覧表 / Different parts list

■ かま / Rotary hooks

部品コードは、かまが箱に入った組コードです

The following parts codes are assigned for the rotary hooks in the boxes.

● 標準 / Normal

| | | |
|-------------------------|------------------|------------------|
| | -403用 / For -403 | -405用 / For -405 |
| かま箱組 / Rotary hook assy | SA9783-001 | |

Ga. ゲージ部品一覧表 / Gauge parts list

標準品 / For normal

- * 糸切り用固定刃(S07527-001)と取付ねじ(148539-101)は、針板には付けてありませんので、必要に応じて別途ご注文ください。
- * 最大針幅15.9mmまで出来ます。
- * 2.4mm (3/32) のゲージを使用する場合は、DBX1 (#7- #18) の針をご使用ください。
- * The thread trimming fixed knife (part No. S07527-001) and the installation screw (part No. 148539-101) are not provided with the needle plate, so they must be ordered separately if required.
- * A maximum stitch width specification of 15.9mm is available.
- * In case of using the gauge set 2.4mm (3/32), use needle size DBX1 (#7- #18).

| 針幅 Needle gauge | 針抱きセット Needle clamp set | 針抱き組 Needle clamp assy | 針板 Needle plate | 送り歯 Feed dog | | 押え組 Presser foot assy | |
|--------------------|--------------------------------|--------------------------------|--------------------|-------------------------------------|-----------------------------------|-------------------------------------|-----------------------------------|
| | | | | 中厚物用 (-403) For medium materials | 厚物用 (-405) For heavy materials | 中厚物用 (-403) For medium materials | 厚物用 (-405) For heavy materials |
| 3.2mm (1/8) | L: S15711-001 R: S15712-001 | L: S15713-001 R: S15714-001 | 155722-001 | 148698-001 | 148699-001 | S36550-001 | |
| 4.8mm (3/16) | L: S15723-001 R: S15724-001 | L: S15725-001 R: S15726-001 | 155851-001 | 148702-001 | 148703-001 | S36554-001 | S36556-001 |
| 6.4mm (1/4) | L: S15735-001 R: S15736-001 | L: S15737-001 R: S15738-001 | 155853-001 | 148704-101*1 | 148705-001 158756-001*2 | SA4051-101 | SA4050-101 |
| 7.9mm (5/16) | L: S15747-001 R: S15748-001 | L: S15749-001 R: S15750-001 | 155855-001 | 149692-001 | 149691-001 | 149689-001 | 149687-001 |
| 9.5mm (3/8) | L: S15753-001 R: S15754-001 | L: S15755-001 R: S15756-001 | 155857-001 | 149939-001 | 149938-001 | 149942-001 | 149940-001 |
| 12.7mm (1/2) | L: S15765-001 R: S15766-001 | L: S15767-001 R: S15768-001 | 149677-001 | 149676-001 | 149675-001 | 149673-201 | |
| 15.9mm (5/8) | L: S15771-001 R: S15772-001 | L: S15773-001 R: S15774-001 | 149954-001 | 149949-001 | 149948-001 | | 149950-101 |

| 針抱きセット Needle clamp set | 針抱き組 Needle clamp assy | 押え組 Presser foot assy | |
|----------------------------|--|-------------------------------------|---|
| | | 中厚物用 (-403) For medium materials | 厚物用 (-405) For heavy materials |
| | | | |
| 針板 Needle plate | 送り歯 Feed dog | | |
| | 中厚物用 (-403) For medium materials | 厚物用 (-405) For heavy materials | 厚物用 (-405) For heavy materials |
| | | | |
| | *1 (φ 1.7 : 148704-101のみ) (φ 1.7 : 148704-101 only) | | *2 (中国向 : ジーンズ用) (For China : for denim) |

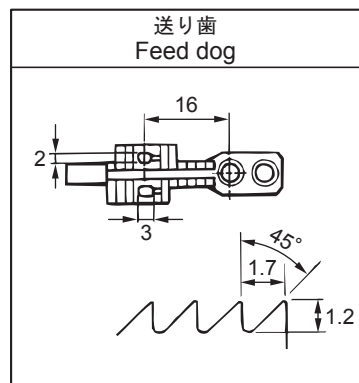
Ga. ゲージ部品一覧表 / Gauge parts list

厚物用 / For heavy materials

* 送り歯が標準品と異なります。

* The feed dog is different from normal parts.

| 針幅 Needle gauge | 針抱きセット Needle clamp set | 針抱き組 Needle clamp assy | 針板 Needle plate | 送り歯 Feed dog | 押え組 Presser foot assy |
|--------------------|----------------------------|---------------------------|--------------------|-----------------|---------------------------|
| 4.8mm (3/16) | 標準品 Normal | 標準品 Normal | 標準品 Normal | S07905-001 | 標準品(-405) Normal(-405) |
| 6.4mm (1/4) | | | | 158756-001 | |

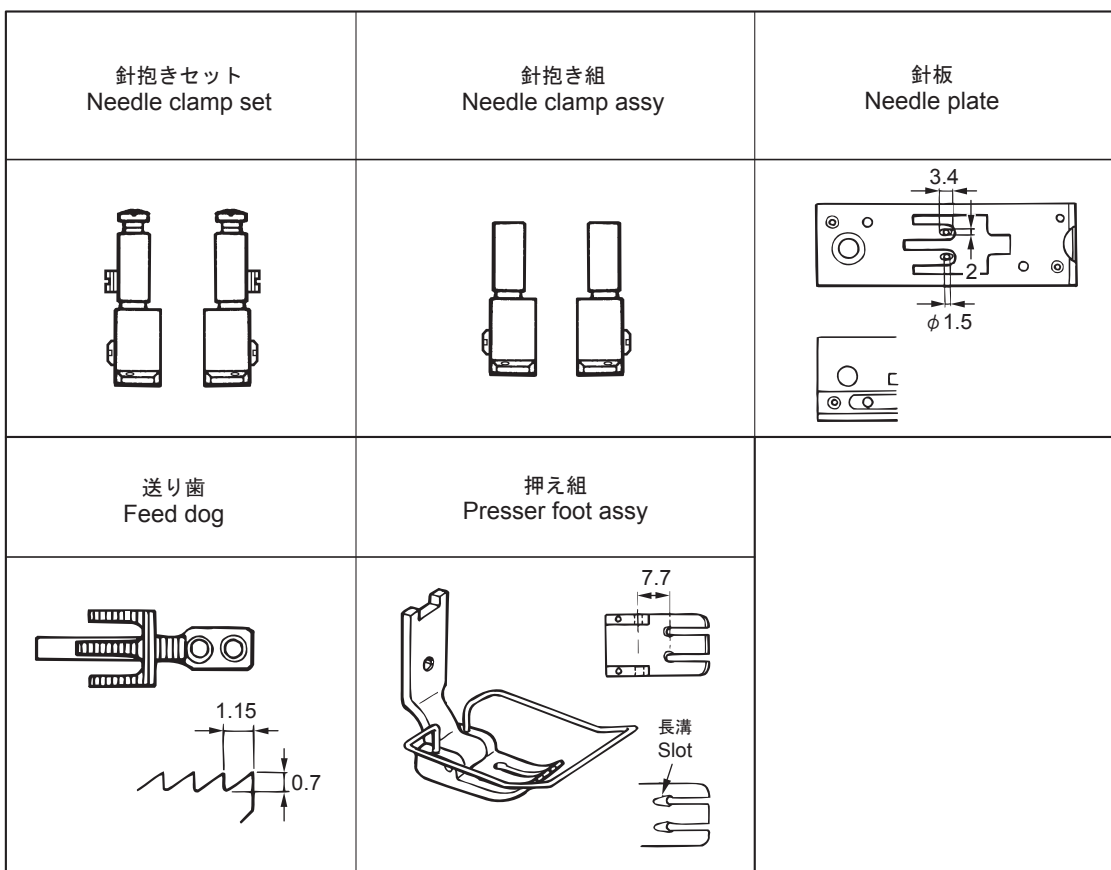


Ga. ゲージ部品一覧表 / Gauge parts list

下送り用 / For drop feed

- * 糸切り用固定刃(S07527-001)と取付ねじ(148539-101)は、針板には付けてありませんので、必要に応じて別途ご注文ください。
- * 最大針幅12.7mmまで出来ます。
- * The thread trimming fixed knife (part No. S07527-001) and the installation screw (part No. 148539-101) are not provided with the needle plate, so they must be ordered separately if required.
- * A maximum stitch width specification of 12.7 mm is available.

| 針幅 Needle gauge | 針抱きセット Needle clamp set | 針抱き組 Needle clamp assy | 針板 Needle plate | 送り歯 Feed dog | 押え組 Presser foot assy |
|--------------------|--------------------------------|--------------------------------|--------------------|-----------------|--------------------------|
| 6.4mm (1/4) | L: S15735-001 R: S15736-001 | L: S15737-001 R: S15738-001 | S07405-001 | S07411-001 | S38543-001 |



索引 / Index

| CODE | REF.NO | Page | CODE | REF.NO | Page | CODE | REF.NO | Page | CODE | REF.NO | Page |
|-----------|---------|------|-----------|---------|------|-----------|---------|------|-----------|---------|------|
| 0A4400806 | T1 - 18 | 46 | 048030342 | E - 15 | 12 | | F - 43 | 14 | 140327001 | M - 63 | 32 |
| 002260516 | C - 20 | 6 | 048040342 | P - 2 | 36 | | M - 8 | 30 | 140647101 | Y - 5 | 54 |
| 004350616 | N - 19 | 34 | | P - 15 | 36 | | N - 41 | 34 | 140890009 | M - 56 | 30 |
| | N - 37 | 34 | 048060142 | G - 8 | 16 | | R - 3 | 42 | 141544001 | K1 - 44 | 22 |
| 012060636 | C - 55 | 8 | 048060342 | F - 18 | 14 | | S - 22 | 44 | 142274201 | M - 31 | 30 |
| | F - 32 | 14 | 048070342 | Q - 37 | 38 | | Y - 14 | 54 | 142990001 | Z2 - 15 | 58 |
| | G - 14 | 16 | 048080342 | F - 35 | 14 | | Y - 26 | 54 | 142997001 | Z2 - 6 | 58 |
| | H - 7 | 18 | 060300606 | U - 8 | 50 | 062501003 | Z2 - 25 | 58 | 143611201 | F - 8 | 14 |
| | H - 26 | 18 | 060350616 | C - 27 | 6 | 062501016 | D - 4 | 10 | 143612100 | F - 9 | 14 |
| | N - 43 | 34 | | C - 30 | 6 | | F - 3 | 14 | 143613051 | F - 16 | 14 |
| | Q - 31 | 38 | 060400516 | S - 12 | 44 | | M - 17 | 30 | 143616001 | F - 17 | 14 |
| 012061036 | B - 25 | 4 | 060400816 | Q - 65 | 40 | | Q - 8 | 38 | 144226001 | Z1 - 1 | 56 |
| 012061832 | E - 17 | 12 | 060501016 | Y - 23 | 54 | | Q - 18 | 38 | 144504001 | N - 27 | 34 |
| 012400636 | P - 9 | 36 | 062020806 | Y - 4 | 54 | | S - 13 | 44 | 145446002 | N - 23 | 34 |
| 012500536 | E - 25 | 12 | 062060812 | Y - 11 | 54 | | S - 27 | 44 | 145573000 | Z1 - 7 | 56 |
| | N - 31 | 34 | 062060816 | F - 7 | 14 | 062501216 | A - 7 | 2 | 146293001 | Z1 - 17 | 56 |
| | P - 14 | 36 | | F - 49 | 14 | | E - 27 | 12 | 148536001 | Q - 56 | 38 |
| | Q - 5 | 38 | | M - 39 | 30 | | F - 45 | 14 | 148539101 | Q - 58 | 38 |
| | S - 20 | 44 | | Q - 12 | 38 | | F - 50 | 14 | 148546001 | Q - 14 | 38 |
| 012501031 | K1 - 26 | 22 | | R - 5 | 42 | 062501416 | A - 5 | 2 | 148559100 | Q - 35 | 38 |
| 013660412 | J - 3 | 20 | 062061003 | Z2 - 19 | 58 | | D - 21 | 10 | 148602001 | K1 - 63 | 24 |
| 014060632 | Z2 - 20 | 58 | 062061012 | Q - 10 | 38 | 062661212 | S - 25 | 44 | 148698001 | Ga | 62 |
| 014080831 | C - 43 | 6 | 062061016 | G - 6 | 16 | 071063550 | D - 19 | 10 | 148699001 | Ga | 62 |
| 014400432 | D - 30 | 10 | | K1 - 60 | 24 | 081004070 | M - 27 | 30 | 148702001 | Ga | 62 |
| 016061031 | F - 29 | 14 | | M - 58 | 30 | 081038070 | M - 20 | 30 | 148703001 | Ga | 62 |
| | G - 12 | 16 | 062061603 | Z2 - 18 | 58 | 0A4400806 | M - 36 | 30 | 148704101 | Ga | 62 |
| 017500812 | Q - 52 | 38 | 062061616 | C - 48 | 6 | | T1 - 3 | 46 | 148705001 | Ga | 62 |
| 018062032 | C - 50 | 8 | | Q - 38 | 38 | 0A4501206 | Y - 16 | 54 | 148743001 | M - 64 | 32 |
| | C - 60 | 8 | 062260316 | C - 16 | 6 | 0A5400806 | T1 - 5 | 46 | 149095001 | G - 17 | 16 |
| | F - 15 | 14 | 062300416 | H - 23 | 18 | | T1 - 10 | 46 | 149578000 | Z1 - 10 | 56 |
| | G - 16 | 16 | 062300612 | K1 - 29 | 22 | 0A5501006 | M - 24 | 30 | 149604001 | C - 8 | 6 |
| 018062532 | C - 57 | 8 | 062300616 | N - 39 | 34 | 100328001 | F - 25 | 14 | 149608001 | C - 13 | 6 |
| 018401036 | C - 4 | 6 | | S - 6 | 44 | 100477009 | Z1 - 3 | 56 | 149610101 | C - 17 | 6 |
| 018401236 | P - 18 | 36 | 062350516 | C - 37 | 6 | 104449001 | A - 4 | 2 | 149611101 | C - 18 | 6 |
| 018501232 | K1 - 48 | 22 | | C - 42 | 6 | 104450101 | M - 19 | 30 | 149622001 | C - 25 | 6 |
| 021060306 | E - 18 | 12 | | D - 8 | 10 | | M - 35 | 30 | 149673201 | Ga | 62 |
| | E - 35 | 12 | | N - 22 | 34 | | M - 51 | 30 | 149675001 | Ga | 62 |
| | Q - 47 | 38 | 062350816 | C - 32 | 6 | 104821001 | F - 42 | 14 | 149676001 | Ga | 62 |
| | Z1 - 15 | 56 | 062351216 | Q - 21 | 38 | 104833001 | D - 2 | 10 | 149677001 | Ga | 62 |
| 021080206 | T1 - 14 | 46 | 062400616 | H - 18 | 18 | 105234003 | Q - 34 | 38 | 149687001 | Ga | 62 |
| 021300106 | N - 11 | 34 | | H - 33 | 18 | 107155001 | C - 39 | 6 | 149689001 | Ga | 62 |
| 021350106 | H - 15 | 18 | | K1 - 35 | 22 | 108549001 | F - 23 | 14 | 149691001 | Ga | 62 |
| | Q - 22 | 38 | | K1 - 36 | 22 | | P - 4 | 36 | 149692001 | Ga | 62 |
| 021400106 | Y - 10 | 54 | | K1 - 39 | 22 | 108801001 | M - 49 | 30 | 149827001 | C - 10 | 6 |
| 021500106 | E - 28 | 12 | | M - 54 | 30 | 108802001 | H - 5 | 18 | 149831101 | J - 5 | 20 |
| | F - 51 | 14 | | Y - 6 | 54 | 109405001 | M - 48 | 30 | 149863001 | D - 28 | 10 |
| | Q - 28 | 38 | 062400812 | K1 - 42 | 22 | 110161004 | R - 1 | 42 | 149938001 | Ga | 62 |
| 021500316 | K1 - 23 | 22 | 062400816 | Q - 63 | 38 | 112609001 | C - 14 | 6 | 149939001 | Ga | 62 |
| 025030132 | H - 22 | 18 | 062401216 | Y - 7 | 54 | 112728001 | C - 33 | 6 | 149940001 | Ga | 62 |
| 025060132 | H - 13 | 18 | 062401616 | M - 44 | 30 | 112753001 | M - 57 | 30 | 149942001 | Ga | 62 |
| 025060136 | K1 - 61 | 24 | 062500616 | A - 11 | 2 | 113014000 | B - 7 | 4 | 149948001 | Ga | 62 |
| | P - 16 | 36 | | M - 47 | 30 | 113050001 | J - 10 | 20 | 149949001 | Ga | 62 |
| | Y - 12 | 54 | | P - 28 | 36 | 113431002 | Q - 26 | 38 | 149950101 | Ga | 62 |
| 025060236 | M - 59 | 30 | | U - 9 | 50 | 114486002 | Z1 - 27 | 56 | 149954001 | Ga | 62 |
| 025080336 | T1 - 15 | 46 | | U - 11 | 50 | 114941001 | Z1 - 39 | 56 | 150179002 | Z2 - 8 | 58 |
| 025100132 | F - 36 | 14 | | U - 13 | 50 | 115947101 | K1 - 54 | 24 | 150183000 | Z2 - 14 | 58 |
| 026030233 | S - 7 | 44 | 062500812 | G - 5 | 16 | 116010001 | A - 18 | 2 | 150188009 | Z2 - 11 | 58 |
| 026040236 | Y - 8 | 54 | 062500816 | A - 22 | 2 | 116662003 | Q - 19 | 38 | 150820001 | D - 18 | 10 |
| 028040246 | Q - 66 | 40 | | B - 27 | 4 | 117006001 | B - 6 | 4 | 151027001 | K2 - 7 | 26 |
| 028050246 | Q - 27 | 38 | | B - 32 | 4 | 118735002 | C - 51 | 8 | 151034001 | K2 - 6 | 26 |
| 028080246 | T1 - 16 | 46 | | D - 16 | 10 | 118954000 | F - 10 | 14 | 151035001 | K2 - 5 | 26 |
| 032461606 | Z2 - 24 | 58 | | D - 25 | 10 | 138843201 | Z2 - 17 | 58 | 151043001 | K2 - 2 | 26 |
| 047301842 | D - 11 | 10 | | E - 2 | 12 | 140063001 | A - 1 | 2 | 153132000 | G - 18 | 16 |

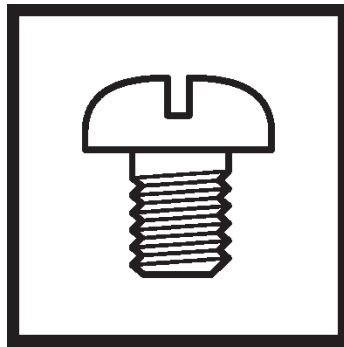
| CODE | REF.NO | Page | CODE | REF.NO | Page | CODE | REF.NO | Page | CODE | REF.NO | Page |
|----------------------|---------|------|-----------|----------|------|-----------|---------|------|-----------|---------|------|
| 153138001 | G - 9 | 16 | S07575008 | C - 23+ | 6 | S25456001 | S - 14 | 44 | SA2489001 | C - 49 | 6 |
| 153230101 | Z1 - 18 | 56 | S07575009 | C - 23+ | 6 | S31006002 | E - 11 | 12 | SA2490101 | C - 52 | 8 |
| 154514001 | Y - 9 | 54 | S07575010 | C - 23+ | 6 | S32907050 | U - 7 | 50 | SA2493001 | C - 58 | 8 |
| 154560101 | N - 28 | 34 | S07575011 | C - 23+ | 6 | S34438001 | A - 17 | 2 | SA2494001 | C - 59 | 8 |
| 154567000 | C - 44 | 6 | S07588101 | D - 26 | 10 | S34561101 | C - 11 | 6 | SA2495001 | E - 1 | 12 |
| 154730001 | G - 2 | 16 | S07742001 | K2 - 10 | 26 | S34562101 | C - 12 | 6 | SA2498001 | E - 8 | 12 |
| 154731000 | G - 3 | 16 | S07905001 | Ga | 63 | S36550001 | Ga | 62 | SA2499001 | E - 10 | 12 |
| 154965001 | K1 - 28 | 22 | S09260001 | K1 - 16+ | 22 | S36554001 | Ga | 62 | SA2500001 | E - 19 | 12 |
| 155510001 | N - 29 | 34 | S09261001 | K1 - 16+ | 22 | S36556001 | Ga | 62 | SA2501001 | E - 20 | 12 |
| 155722001 | Ga | 62 | S11244001 | J - 7 | 20 | S36663101 | A - 16 | 2 | SA2502001 | E - 21 | 12 |
| 155851001 | Ga | 62 | S13085001 | J - 4 | 20 | S37037001 | Z2 - 22 | 58 | SA2504001 | E - 24 | 12 |
| 155853001 | Ga | 62 | S13160001 | B - 15 | 4 | S37059001 | T1 - 7 | 46 | | S - 19 | 44 |
| 155855001 | Ga | 62 | S15711001 | Ga | 62 | | Wa | 59 | SA2506001 | E - 29 | 12 |
| 155857001 | Ga | 62 | S15712001 | Ga | 62 | S37060001 | A - 20 | 2 | SA2507001 | E - 30 | 12 |
| 158756001 | Ga | 62 | S15713001 | Ga | 62 | | T1 - 6 | 46 | SA2509001 | F - 1 | 14 |
| | Ga | 63 | S15714001 | Ga | 62 | | Y - 18 | 54 | SA2511001 | F - 2 | 14 |
| 159801001 | K2 - 8 | 26 | S15723001 | Ga | 62 | | Wa | 59 | SA2512001 | F - 4 | 14 |
| 159805001 | N - 24 | 34 | S15724001 | Ga | 62 | S38212001 | K1 - 27 | 22 | SA2515001 | F - 5 | 14 |
| 228475000 | M - 13 | 30 | S15725001 | Ga | 62 | S38266000 | M - 10 | 30 | SA2516001 | F - 6 | 14 |
| BMP3010-1000000-2ST1 | | | S15726001 | Ga | 62 | S38274001 | N - 32 | 34 | SA2518001 | F - 11 | 14 |
| | T2 - 3+ | 48 | S15735001 | Ga | 62 | S38543001 | Ga | 64 | SA2521001 | F - 14 | 14 |
| BMP3010-1000000-AST1 | | | | Ga | 64 | S38687000 | Q - 61 | 38 | SA2523001 | F - 26 | 14 |
| | T2 - 3+ | 48 | S15736001 | Ga | 62 | S38713100 | B - 20 | 4 | SA2525001 | F - 28 | 14 |
| J00353001 | T1 - 12 | 46 | | Ga | 64 | S38744101 | Y - 2 | 54 | SA2526001 | F - 30 | 14 |
| J02825001 | T1 - 19 | 46 | S15737001 | Ga | 62 | S39051001 | E - 12 | 12 | SA2529101 | F - 34 | 14 |
| J04100001 | T1 - 9 | 46 | | Ga | 64 | S39830101 | F - 27 | 14 | SA2530001 | F - 37 | 14 |
| LNA409001 | T1 - 25 | 46 | S15738001 | Ga | 62 | S49623000 | M - 14 | 30 | SA2531001 | F - 39 | 14 |
| S01567001 | K2 - 3 | 26 | | Ga | 64 | S50098201 | F - 24 | 14 | SA2532001 | F - 44 | 14 |
| S01568001 | K2 - 4 | 26 | S15747001 | Ga | 62 | S51282101 | Z2 - 4 | 58 | SA2533001 | F - 48 | 14 |
| S01928151 | K1 - 62 | 24 | S15748001 | Ga | 62 | S51283001 | Z2 - 2 | 58 | SA2535101 | G - 4 | 16 |
| | Z1 - 2 | 56 | S15749001 | Ga | 62 | SA1120001 | B - 9 | 4 | SA2536001 | G - 10 | 16 |
| S02747101 | Z2 - 7 | 58 | S15750001 | Ga | 62 | SA1179001 | E - 22 | 12 | SA2539001 | G - 15 | 16 |
| S03816001 | T1 - 23 | 46 | S15753001 | Ga | 62 | | E - 31 | 12 | SA2540001 | G - 11 | 16 |
| S04109001 | Z2 - 5 | 58 | S15754001 | Ga | 62 | | E - 33 | 12 | SA2541001 | F - 40 | 14 |
| S07346101 | E - 6 | 12 | S15755001 | Ga | 62 | SA1360101 | P - 27 | 36 | SA2543001 | H - 4 | 18 |
| S07349001 | E - 23 | 12 | S15756001 | Ga | 62 | SA1388101 | U - 12 | 50 | SA2544001 | H - 6 | 18 |
| S07350001 | E - 36 | 12 | S15765001 | Ga | 62 | SA1962001 | Z1 - 25 | 56 | SA2546001 | H - 8 | 18 |
| S07351001 | E - 13 | 12 | S15766001 | Ga | 62 | SA1963001 | Z1 - 26 | 56 | SA2551001 | H - 25 | 18 |
| S07355051 | E - 26 | 12 | S15767001 | Ga | 62 | SA1981301 | P - 11 | 36 | SA2553001 | H - 16 | 18 |
| S07374102 | F - 38 | 14 | S15768001 | Ga | 62 | SA1982101 | P - 12 | 36 | SA2554001 | H - 17 | 18 |
| S07376001 | F - 47 | 14 | S15771001 | Ga | 62 | SA1983201 | P - 13 | 36 | SA2555001 | H - 27 | 18 |
| S07405001 | Ga | 64 | S15772001 | Ga | 62 | SA1984001 | P - 17 | 36 | SA2556001 | K1 - 53 | 24 |
| S07411001 | Ga | 64 | S15773001 | Ga | 62 | SA1985001 | P - 19 | 36 | | K1 - 57 | 24 |
| S07419001 | K1 - 18 | 22 | S15774001 | Ga | 62 | SA1990101 | P - 23 | 36 | SA2560001 | K1 - 22 | 22 |
| S07420000 | K1 - 17 | 22 | S15889001 | Z1 - 16 | 56 | SA1992101 | P - 26 | 36 | SA2562201 | K1 - 2 | 22 |
| S07424001 | S - 29 | 44 | S20681000 | N - 25 | 34 | SA2165001 | E - 32 | 12 | SA2563301 | K1 - 9 | 22 |
| S07494001 | J - 12 | 20 | S20682111 | N - 26 | 34 | SA2190001 | P - 25 | 36 | SA2565001 | K1 - 56 | 24 |
| S07509001 | Q - 36 | 38 | S23418002 | P - 20 | 36 | SA2270001 | U - 2 | 50 | SA2566001 | H - 14 | 18 |
| S07525100 | K1 - 43 | 22 | | Z1 - 19 | 56 | SA2354001 | Y - 21 | 54 | SA2567001 | K1 - 58 | 24 |
| S07526301 | Q - 55 | 38 | S23460001 | C - 53 | 8 | SA2378001 | Q - 40 | 38 | SA2568001 | K1 - 59 | 24 |
| S07527001 | Q - 57 | 38 | S23651001 | B - 10 | 4 | SA2404001 | B - 21 | 4 | SA2571101 | L - 5 | 28 |
| S07529001 | E - 14 | 12 | | B - 18 | 4 | SA2441201 | A - 6 | 2 | SA2572101 | K1 - 30 | 22 |
| S07550001 | S - 18 | 44 | | H - 9 | 18 | SA2444101 | A - 12 | 2 | SA2574001 | K1 - 31 | 22 |
| S07552101 | S - 24 | 44 | | K1 - 47 | 22 | SA2445101 | A - 13 | 2 | | K1 - 34 | 22 |
| S07558509 | Z2 - 1 | 58 | | L - 11 | 28 | SA2448201 | A - 14 | 2 | SA2575001 | K1 - 32 | 22 |
| S07575000 | C - 23+ | 6 | S25235001 | B - 11 | 4 | SA2450201 | A - 15 | 2 | | L - 7 | 28 |
| S07575001 | C - 23+ | 6 | S25236001 | B - 12 | 4 | SA2460101 | B - 16 | 4 | SA2579001 | K1 - 10 | 22 |
| S07575002 | C - 23+ | 6 | | F - 13 | 14 | SA2461001 | B - 19 | 4 | SA2580101 | L - 6 | 28 |
| S07575003 | C - 23+ | 6 | | Q - 41 | 38 | SA2462001 | B - 33 | 4 | SA2582001 | Z1 - 11 | 56 |
| S07575004 | C - 23+ | 6 | S25260001 | B - 8 | 4 | SA2463001 | B - 24 | 4 | SA2584001 | L - 8 | 28 |
| S07575005 | C - 23+ | 6 | | C - 46 | 6 | SA2469101 | B - 26 | 4 | SA2585001 | F - 12 | 14 |
| S07575006 | C - 23+ | 6 | S25289001 | E - 9 | 12 | SA2485001 | C - 45 | 6 | | L - 10 | 28 |
| S07575007 | C - 23+ | 6 | S25344001 | Z1 - 13 | 56 | SA2486101 | C - 47 | 6 | | L - 14 | 28 |

索引 / Index

| CODE | REF.NO | Page | CODE | REF.NO | Page | CODE | REF.NO | Page | CODE | REF.NO | Page |
|-----------|---------|------|-----------|----------|------|-----------|----------|------|-----------|---------|------|
| SA2587101 | L - 12 | 28 | SA2717001 | K1 - 40 | 22 | SA4044001 | K1 - 5 | 22 | SA6393001 | Q - 24 | 38 |
| SA2590001 | Z1 - 12 | 56 | SA2722001 | K1 - 55 | 24 | SA4045001 | K1 - 12 | 22 | SA6394001 | Q - 25 | 38 |
| SA2604001 | M - 45 | 30 | SA2723001 | M - 21 | 30 | SA4050101 | Ga | 62 | SA6395001 | Q - 17 | 38 |
| SA2605001 | M - 46 | 30 | SA2724001 | H - 34 | 18 | SA4051101 | Ga | 62 | SA6411001 | M - 70 | 32 |
| SA2606101 | M - 50 | 30 | | M - 22 | 30 | SA4099001 | U - 5 | 50 | SA6412001 | M - 69 | 32 |
| SA2607501 | N - 1+ | 34 | SA2728001 | Q - 7 | 38 | SA4149101 | E - 34 | 12 | SA6413001 | M - 71 | 32 |
| SA2613101 | N - 4 | 34 | SA2806101 | H - 30 | 18 | SA4212001 | N - 3 | 34 | SA6414001 | M - 62 | 32 |
| SA2614201 | N - 5 | 34 | SA2814201 | M - 1 | 30 | SA4213001 | L - 15 | 28 | SA6415001 | M - 30 | 30 |
| SA2615001 | N - 6 | 34 | SA2824001 | N - 20 | 34 | SA4370101 | A - 10 | 2 | SA6416001 | M - 61 | 32 |
| SA2619001 | N - 7 | 34 | SA2826001 | K1 - 64+ | 24 | SA4373001 | B - 2 | 4 | SA6417001 | K1 - 52 | 24 |
| SA2620001 | N - 9 | 34 | SA2860001 | Q - 16 | 38 | SA4376101 | B - 29 | 4 | SA6422001 | M - 67 | 32 |
| SA2621001 | N - 10 | 34 | SA2861101 | B - 13 | 4 | SA4389101 | C - 21 | 6 | SA6423001 | M - 29 | 30 |
| SA2623201 | N - 8 | 34 | SA2927001 | H - 12 | 18 | SA4391101 | C - 15 | 6 | | M - 60 | 30 |
| SA2624001 | N - 13 | 34 | SA2928001 | H - 28 | 18 | SA4392001 | C - 19 | 6 | SA6424201 | K1 - 4 | 22 |
| SA2625001 | N - 14 | 34 | SA2929001 | A - 19 | 2 | SA4393101 | C - 34 | 6 | SA6425201 | K1 - 11 | 22 |
| SA2626001 | N - 12 | 34 | | M - 9 | 30 | SA4394001 | C - 35 | 6 | SA6462001 | K1 - 7 | 22 |
| | N - 15 | 34 | | M - 18 | 30 | SA4395001 | C - 22 | 6 | SA6463001 | K1 - 14 | 22 |
| SA2627001 | N - 16 | 34 | SA2935201 | B - 14+ | 4 | SA4396001 | C - 26 | 6 | SA6465001 | M - 65 | 32 |
| SA2628001 | N - 17 | 34 | SA2936201 | B - 14+ | 4 | SA4397001 | C - 28 | 6 | SA6467001 | M - 66 | 32 |
| SA2629001 | N - 18 | 34 | SA2956001 | M - 4 | 30 | SA4398001 | C - 29 | 6 | SA6468001 | M - 28 | 30 |
| SA2630001 | N - 21 | 34 | SA2957001 | M - 5 | 30 | SA4399001 | C - 31 | 6 | SA6470101 | M - 68 | 32 |
| SA2632001 | N - 30 | 34 | SA2992001 | G - 7 | 16 | SA4400001 | C - 38 | 6 | SA6472001 | M - 42 | 30 |
| SA2633001 | N - 33 | 34 | | G - 13 | 16 | SA4401001 | C - 36 | 6 | SA6473001 | M - 55 | 30 |
| SA2634001 | N - 36 | 34 | SA3040001 | M - 2 | 30 | SA4402001 | D - 1 | 10 | SA6474001 | K1 - 19 | 22 |
| SA2635001 | N - 38 | 34 | | M - 33 | 30 | SA4404001 | D - 5 | 10 | SA6475001 | M - 26 | 30 |
| SA2636001 | N - 42 | 34 | SA3044001 | M - 40 | 30 | SA4405001 | D - 7 | 10 | SA6592001 | F - 41 | 14 |
| SA2637001 | N - 44 | 34 | SA3045201 | M - 37 | 30 | SA4406001 | D - 10 | 10 | SA6609001 | Z2 - 26 | 58 |
| SA2638001 | N - 45 | 34 | SA3046001 | M - 38 | 30 | SA4408001 | D - 12 | 10 | SA6610001 | Z2 - 12 | 58 |
| SA2639001 | Z1 - 38 | 56 | SA3048101 | M - 52 | 30 | SA4409001 | D - 13 | 10 | | Z2 - 13 | 58 |
| SA2640001 | N - 46 | 34 | SA3049001 | M - 53 | 30 | SA4411101 | D - 14 | 10 | SA6615001 | Z2 - 16 | 58 |
| SA2643001 | Q - 2 | 38 | SA3054001 | K1 - 3 | 22 | SA4412001 | D - 17 | 10 | SA7235001 | S - 3 | 44 |
| SA2644001 | Q - 3 | 38 | SA3055101 | M - 7 | 30 | SA4413001 | D - 20 | 10 | SA7295001 | U - 3 | 50 |
| SA2645001 | Q - 4 | 38 | | M - 23 | 30 | SA4414001 | D - 23 | 10 | SA7607101 | E - 5 | 12 |
| | Q - 54 | 38 | | M - 41 | 30 | SA4415001 | D - 24 | 10 | SA8239301 | Z1 - 4 | 56 |
| SA2646001 | Q - 6 | 38 | SA3056101 | F - 20 | 14 | SA4416001 | D - 27 | 10 | SA8266001 | K2 - 9 | 26 |
| SA2647001 | Q - 9 | 38 | SA3059101 | B - 31 | 4 | SA4417001 | D - 29 | 10 | SA8364001 | Q - 59 | 38 |
| SA2648001 | Q - 11 | 38 | SA3060001 | M - 34 | 30 | SA4418001 | D - 31 | 10 | SA8503001 | P - 10 | 36 |
| SA2651001 | Q - 13 | 38 | SA3065001 | B - 30 | 4 | SA4441001 | D - 6 | 10 | SA8507001 | P - 8 | 36 |
| SA2652101 | Q - 15 | 38 | SA3415001 | N - 2+ | 34 | SA4444001 | K1 - 16+ | 22 | SA8508001 | P - 3 | 36 |
| SA2655001 | Q - 20 | 38 | SA3416101 | N - 2+ | 34 | SA4458001 | K1 - 64+ | 24 | SA8509001 | P - 24 | 36 |
| SA2657001 | Q - 29 | 38 | SA3417501 | N - 1+ | 34 | SA4494001 | F - 22 | 14 | SA8512101 | P - 22 | 36 |
| SA2658001 | Q - 30 | 38 | SA3840001 | H - 10 | 18 | SA4506001 | N - 34 | 34 | SA8749201 | C - 7 | 6 |
| SA2663001 | Q - 42 | 38 | SA3855001 | H - 1 | 18 | SA4507001 | N - 35 | 34 | SA8982202 | P - 30 | 36 |
| SA2665001 | Q - 44 | 38 | SA3859101 | K1 - 21 | 22 | SA4537001 | B - 28 | 4 | SA9452001 | Y - 24 | 54 |
| SA2667001 | Q - 46 | 38 | SA3887001 | H - 20 | 18 | SA4551001 | B - 1 | 4 | SA9535001 | T2 - 2 | 48 |
| SA2668001 | Q - 48 | 38 | SA3888001 | H - 21 | 18 | SA4583001 | C - 24 | 6 | SA9563001 | P - 7 | 36 |
| SA2669001 | Q - 49 | 38 | SA3889101 | K1 - 24 | 22 | SA4585001 | L - 2 | 28 | SA9616001 | T2 - 1+ | 48 |
| SA2670101 | K1 - 13 | 22 | SA3890001 | L - 1 | 28 | | L - 4 | 28 | SA9783001 | K2 - 1 | 26 |
| SA2671001 | K1 - 6 | 22 | SA3891001 | L - 3 | 28 | SA5154201 | M - 16 | 30 | | Sp | 61 |
| SA2672001 | Q - 50 | 38 | SA3894001 | K1 - 38 | 22 | SA5155001 | C - 40 | 6 | SA9826001 | A - 21 | 2 |
| SA2673001 | Q - 51 | 38 | SA3912001 | K1 - 45 | 22 | SA5224001 | M - 11 | 30 | | Wa | 59 |
| SA2675001 | K1 - 46 | 22 | SA3924001 | A - 2 | 2 | SA5237101 | C - 41 | 6 | SA9831001 | T2 - 1+ | 48 |
| SA2676001 | K1 - 41 | 22 | SA3946001 | M - 3 | 30 | SA5293001 | M - 15 | 30 | SA9893001 | T1 - 13 | 46 |
| SA2677201 | E - 16 | 12 | SA3965001 | H - 2 | 18 | SA5332001 | C - 61 | 8 | SA9914001 | T2 - 4 | 48 |
| SA2678001 | R - 2 | 42 | SA3990001 | H - 19 | 18 | SA5333001 | D - 9 | 10 | | Wa | 59 |
| SA2679001 | R - 4 | 42 | SA4009001 | H - 32 | 18 | SA5336001 | D - 3 | 10 | SA9957001 | A - 23 | 2 |
| SA2684001 | S - 26 | 44 | SA4011001 | H - 35 | 18 | SA5588001 | D - 22 | 10 | | Wa | 59 |
| SA2686001 | Y - 3 | 54 | SA4012001 | K1 - 37 | 22 | SA6150101 | H - 11 | 18 | SA9957002 | A - 24 | 2 |
| SA2687001 | Y - 25 | 54 | SA4026001 | K1 - 25 | 22 | SA6166001 | B - 5 | 4 | | Wa | 59 |
| SA2689101 | U - 10 | 50 | SA4028001 | H - 3 | 18 | SA6178001 | M - 6 | 30 | SA9977101 | A - 9 | 2 |
| SA2691101 | Z1 - 8 | 56 | SA4029001 | K1 - 15 | 22 | SA6307201 | K1 - 50 | 22 | SB0687001 | Z1 - 14 | 56 |
| SA2692101 | Z1 - 9 | 56 | SA4033101 | M - 12 | 30 | SA6308001 | H - 31 | 18 | SB1270001 | Z1 - 6 | 56 |
| SA2712001 | Y - 13 | 54 | SA4038001 | K1 - 16+ | 22 | SA6392001 | Q - 23 | 38 | | Wa | 60 |

| CODE | REF.NO | Page | CODE | REF.NO | Page | CODE | REF.NO | Page | CODE | REF.NO | Page |
|-----------|----------|------|-----------|---------|------|------|--------|------|------|--------|------|
| SB1271101 | Z1 - 5 | 56 | SB4608001 | M - 43 | 30 | | | | | | |
| | Wa | 60 | SB4685001 | C - 9 | 6 | | | | | | |
| SB1425001 | C - 3 | 6 | SB4833101 | K1 - 1 | 22 | | | | | | |
| SB1434001 | C - 2 | 6 | SB4834101 | K1 - 8 | 22 | | | | | | |
| SB1450001 | Q - 32 | 38 | SB7015001 | S - 17 | 44 | | | | | | |
| SB1452001 | Q - 33 | 38 | SB7065001 | T1 - 22 | 46 | | | | | | |
| SB1485001 | B - 3 | 4 | SB7074001 | T1 - 21 | 46 | | | | | | |
| SB1535001 | B - 4 | 4 | SB7507001 | F - 33 | 14 | | | | | | |
| | L - 9 | 28 | SB8096001 | T1 - 8 | 46 | | | | | | |
| SB1536001 | B - 17 | 4 | | Wa | 59 | | | | | | |
| | L - 13 | 28 | SB8396001 | Y - 19 | 54 | | | | | | |
| SB1603001 | Z1 - 29 | 56 | SB8436001 | Q - 62 | 38 | | | | | | |
| SB1604001 | Z1 - 30 | 56 | SB8940102 | Y - 22 | 54 | | | | | | |
| SB1605001 | Z1 - 31 | 56 | SB9775001 | Y - 17 | 54 | | | | | | |
| SB1607001 | Z1 - 33 | 56 | SB9863001 | A - 8 | 2 | | | | | | |
| SB1608001 | Z1 - 34 | 56 | SB9867001 | F - 19 | 14 | | | | | | |
| SB1609001 | Z1 - 35 | 56 | SB9875001 | A - 3 | 2 | | | | | | |
| SB1610001 | Z1 - 36 | 56 | SB9882001 | U - 1 | 50 | | | | | | |
| SB1611001 | Z1 - 37 | 56 | SB9883001 | U - 6 | 50 | | | | | | |
| SB2245002 | P - 1 | 36 | SB9907001 | Q - 1 | 38 | | | | | | |
| SB2246001 | P - 21 | 36 | SB9910001 | S - 1 | 44 | | | | | | |
| SB2247001 | P - 5 | 36 | SB9911001 | G - 1 | 16 | | | | | | |
| SB2265002 | E - 3 | 12 | SB9920001 | Y - 1 | 54 | | | | | | |
| SB2275001 | P - 6 | 36 | SB9926101 | Y - 15 | 54 | | | | | | |
| SB2330001 | K1 - 51 | 24 | SC0031001 | Z1 - 22 | 56 | | | | | | |
| SB3275001 | T1 - 2 | 46 | SC0066001 | V - 1+ | 52 | | | | | | |
| SB3480001 | Z1 - 32 | 56 | SC0066002 | V - 1+ | 52 | | | | | | |
| SB3571101 | P - 29 | 36 | SC0068001 | T1 - 1 | 46 | | | | | | |
| SB3627001 | Z1 - 23 | 56 | SC0069001 | T1 - 4 | 46 | | | | | | |
| SB3628001 | Z1 - 24 | 56 | SC0185001 | T1 - 24 | 46 | | | | | | |
| SB3817401 | T1 - 11+ | 46 | SC0296001 | T1 - 20 | 46 | | | | | | |
| SB3848001 | Q - 67 | 40 | SC0298001 | T1 - 17 | 46 | | | | | | |
| SB3849001 | F - 46 | 14 | SC0568001 | J - 8 | 20 | | | | | | |
| | Q - 53 | 38 | | | | | | | | | |
| | S - 23 | 44 | | | | | | | | | |
| SB3854101 | Z1 - 28 | 56 | | | | | | | | | |
| SB4104001 | S - 11 | 44 | | | | | | | | | |
| SB4105001 | S - 10 | 44 | | | | | | | | | |
| SB4114001 | Z2 - 3 | 58 | | | | | | | | | |
| SB4117001 | Z2 - 9 | 58 | | | | | | | | | |
| SB4119001 | Z2 - 10 | 58 | | | | | | | | | |
| | Z2 - 21 | 58 | | | | | | | | | |
| | Z2 - 23 | 58 | | | | | | | | | |
| SB4123001 | U - 4 | 50 | | | | | | | | | |
| SB4124001 | S - 28 | 44 | | | | | | | | | |
| SB4125001 | F - 31 | 14 | | | | | | | | | |
| SB4126001 | H - 24 | 18 | | | | | | | | | |
| SB4152001 | Q - 39 | 38 | | | | | | | | | |
| SB4155001 | Q - 64 | 40 | | | | | | | | | |
| | S - 8 | 44 | | | | | | | | | |
| | Y - 20 | 54 | | | | | | | | | |
| SB4193001 | K1 - 20 | 22 | | | | | | | | | |
| SB4195001 | E - 7 | 12 | | | | | | | | | |
| SB4197001 | C - 54 | 8 | | | | | | | | | |
| SB4198001 | C - 56 | 8 | | | | | | | | | |
| SB4210001 | S - 21 | 44 | | | | | | | | | |
| SB4211101 | S - 30 | 44 | | | | | | | | | |
| SB4213101 | S - 16 | 44 | | | | | | | | | |
| SB4315001 | C - 5 | 6 | | | | | | | | | |
| SB4317001 | C - 6 | 6 | | | | | | | | | |
| SB4331101 | C - 1 | 6 | | | | | | | | | |
| SB4333101 | S - 15 | 44 | | | | | | | | | |
| SB4587301 | T1 - 11+ | 46 | | | | | | | | | |

brother



パーツブック
PARTS BOOK

ブラザー工業株式会社 <http://www.brother.co.jp/>

〒448-0803 刈谷市野田町北地藏山1番地5 TEL:0566-95-0085

BROTHER INDUSTRIES, LTD. <http://www.brother.com/>

1-5, Kitajizoyama, Noda-cho, Kariya 448-0803, Japan. Phone : 81-566-95-0088